

Copyright

This publication, including all photographs, illustrations and software, is protected under international copyright laws, with all rights reserved. Neither this manual, nor any of the material contained herein, may be reproduced without written consent of the author.

© Copyright 2009

Disclaimer

The information in this document is subject to change without notice. The manufacturer makes no representations or warranties with respect to the contents hereof and specifically disclaims any implied warranties of merchantability or fitness for any particular purpose. The manufacturer reserves the right to revise this publication and to make changes from time to time in the content hereof without obligation of the manufacturer to notify any person of such revision or changes.

Trademark Recognition

Kensington is a U.S. registered trademark of ACCO Brand Corporation with issued registrations and pending applications in other countries throughout the world.

All other product names used in this manual are the properties of their respective owners and are acknowledged.

Important Safety Information

Important:

It is strongly recommended that you read this section carefully before using the projector. These safety and usage instructions will ensure that you enjoy many years of safe use of the projector. Keep this manual for future reference.

Symbols Used

Warning symbols are used on the unit and in this manual to alert you of hazardous situations.

The following styles are used in this manual to alert you to important information.

Note:

Provides additional information on the topic at hand.

Important:

Provides additional information that should not be overlooked.

Caution:

Alerts you to situations that may damage the unit.

Warning:

Alerts you to situations that may damage the unit, create a hazardous environment, or cause personal injury.

Throughout this manual, component parts and items in the OSD menus are denoted in bold font as in this example:

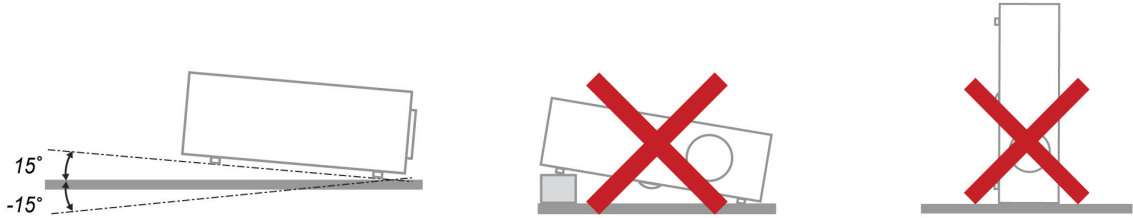
“Push the **Menu** button on the remote control to open the **Main** menu.”

General Safety Information

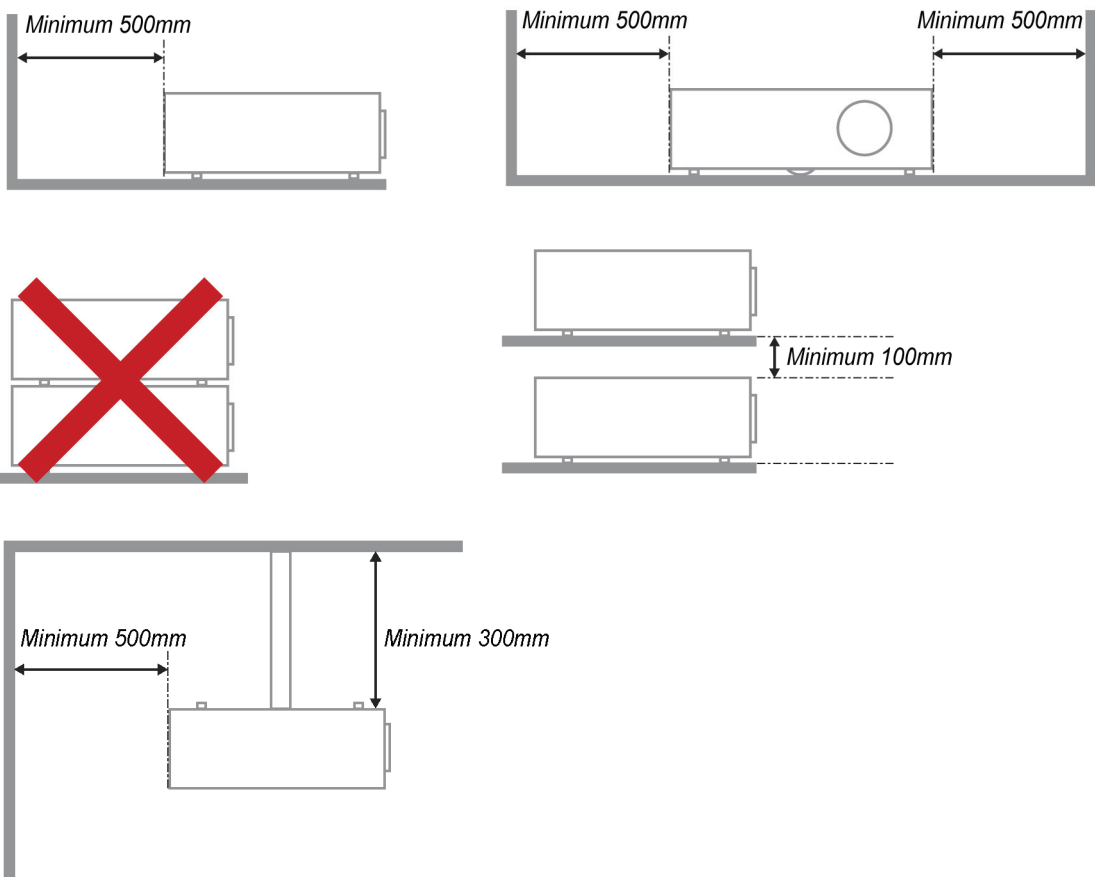
- Do not open the unit case. Aside from the projection lamp, there are no user-serviceable parts in the unit. For servicing, contact qualified service personnel.
- Follow all warnings and cautions in this manual and on the unit case.
- The projection lamp is extremely bright by design. To avoid damage to eyes, do not look into the lens when the lamp is on.
- Do not place the unit on an unstable surface, cart, or stand.
- Avoid using the system near water, in direct sunlight, or near a heating device.
- Do not place heavy objects such as books or bags on the unit.

Projector Installation Notice

- Place the projector in a horizontal position
The tilt angle of the projector should not exceed 15 degrees, nor should the projector be installed in any way other than the desktop and ceiling mount, otherwise lamp life could decrease dramatically.



- Allow at least 50 cm clearance around the exhaust vent.



- Ensure that the intake vents do not recycle hot air from the exhaust vent.
- When operating the projector in an enclosed space, ensure that the surrounding air temperature within the enclosure does not exceed 5 – 35°C while the projector is running, and the air intake and exhaust vents are unobstructed.
- All enclosures should pass a certified thermal evaluation to ensure that the projector does not recycle exhaust air, as this may cause the device to shutdown even if the enclosure temperature is within the acceptable 5 – 35°C range.

Power Safety

- Only use the supplied power cord.
- Do not place anything on the power cord. Place the power cord where it will not be in the way of foot traffic.
- Remove the batteries from the remote control when storing or not in use for a prolonged period.

Replacing the Lamp

Replacing the lamp can be hazardous if done incorrectly. See *Replacing the Projection Lamp* on page 39 for clear and safe instructions for this procedure. Before replacing the lamp:

- Unplug the power cord.
- Allow the lamp to cool for about one hour.

Cleaning the Projector

- Unplug the power cord before cleaning. See *Cleaning the Projector* on page 42.
- Allow the lamp to cool for about one hour.

Regulatory Warnings

Before installing and using the projector, read the regulatory notices in the *Regulatory Compliance* section on page 53.

Important Recycle Instructions:



Lamp(s) inside this product contain mercury. This product may contain other electronic waste that can be hazardous if not disposed of properly. Recycle or dispose in accordance with local, state, or federal Laws. For more information, contact the Electronic Industries Alliance at WWW.EIAE.ORG. For lamp specific disposal information check WWW.LAMPRECYCLE.ORG.

Symbol Explanations



DISPOSAL: Do not use household or municipal waste collection services for disposal of electrical and electronic equipment. EU countries require the use of separate recycling collection services.

Main Features

- *Lightweight unit, easy to pack away and transport.*
- *Compatible with all major video standards including NTSC, PAL, and SECAM.*
- *A high brightness rating allows for presentations in daylight or in lit rooms.*
- *Supports resolutions up to SXGA+ at 16.7 million colors to deliver crisp, clear images.*
- *Flexible setup allows for front, rear projections.*
- *Line-of-vision projections remain square, with advanced keystone correction for angled projections.*
- *Input source automatically detected.*

About this manual

This manual is intended for end users and describes how to install and operate the DLP projector. Wherever possible, relevant information—such as an illustration and its description—has been kept on one page. This printer-friendly format is both for your convenience and to help save paper, thereby protecting the environment. It is suggested that you only print sections that are relevant to your needs.

Table of Contents

| | |
|--|-----------|
| GETTING STARTED | 1 |
| PACKING CHECKLIST | 1 |
| VIEWS OF PROJECTOR PARTS | 2 |
| <i>D9 SERIES Front-right View</i> | 2 |
| <i>Top view—On-screen Display (OSD) buttons and LEDs</i> | 3 |
| <i>Rear view</i> | 4 |
| <i>Bottom view</i> | 5 |
| REMOTE CONTROL PARTS | 6 |
| REMOTE CONTROL OPERATING RANGE | 8 |
| PROJECTOR AND REMOTE CONTROL BUTTONS | 8 |
| SETUP AND OPERATION | 9 |
| INSERTING THE REMOTE CONTROL BATTERIES | 9 |
| CONNECTING INPUT DEVICES | 10 |
| STARTING AND SHUTTING DOWN THE PROJECTOR | 11 |
| SETTING AN ACCESS PASSWORD (SECURITY LOCK) | 13 |
| ADJUSTING THE PROJECTOR LEVEL | 15 |
| ADJUSTING THE ZOOM RING (VX SERIES ONLY), FOCUS AND KEYSTONE | 16 |
| ADJUSTING THE VOLUME | 17 |
| ON-SCREEN DISPLAY (OSD) MENU SETTINGS | 18 |
| OSD MENU CONTROLS | 18 |
| <i>Navigating the OSD</i> | 18 |
| SETTING THE OSD LANGUAGE | 19 |
| OSD MENU OVERVIEW | 20 |
| OSD SUB-MENU OVERVIEW | 21 |
| IMAGE MENU | 22 |
| <i>Advanced Feature</i> | 23 |
| <i>Color Manager</i> | 24 |
| COMPUTER MENU | 25 |
| VIDEO/AUDIO MENU | 26 |
| <i>Audio</i> | 27 |
| INSTALLATION I MENU | 28 |
| INSTALLATION II MENU | 29 |
| <i>Advanced Feature</i> | 30 |
| <i>OSD Menu Setting</i> | 31 |
| <i>Peripheral Test</i> | 31 |
| <i>Lamp Hour Reset</i> | 32 |
| <i>Network</i> | 32 |
| <i>Factory Reset</i> | 38 |
| <i>Status</i> | 38 |
| MAINTENANCE AND SECURITY | 39 |
| REPLACING THE PROJECTION LAMP | 39 |
| <i>Resetting the Lamp</i> | 41 |
| CLEANING THE PROJECTOR | 42 |
| <i>Cleaning the Lens</i> | 42 |
| <i>Cleaning the Case</i> | 42 |
| USING THE KENSINGTON® LOCK | 43 |
| TROUBLESHOOTING | 44 |
| COMMON PROBLEMS AND SOLUTIONS | 44 |
| TIPS FOR TROUBLESHOOTING | 44 |
| LED ERROR MESSAGES | 45 |
| IMAGE PROBLEMS | 45 |
| LAMP PROBLEMS | 46 |
| REMOTE CONTROL PROBLEMS | 46 |
| AUDIO PROBLEMS | 47 |

HAVING THE PROJECTOR SERVICED 47

SPECIFICATIONS..... 48

 SPECIFICATIONS..... 48

 PROJECTION DISTANCE VS. PROJECTION SIZE 49

D9 SERIES Projection Distance and Size Table..... 49

 D9 SERIES TIMING MODE TABLE 50

 PROJECTOR DIMENSIONS 52

REGULATORY COMPLIANCE 53

 FCC WARNING..... 53

 CANADA 53

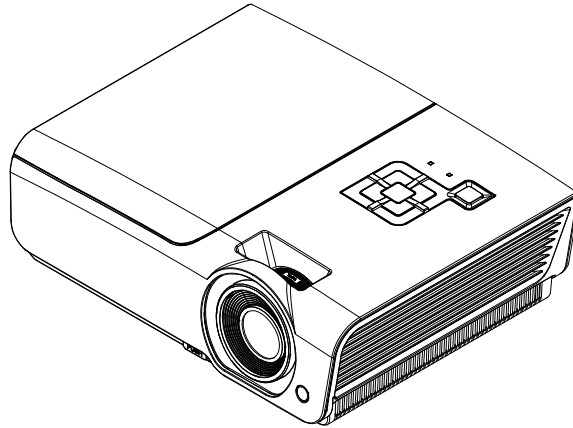
 SAFETY CERTIFICATIONS 53

 EN 55022 WARNING 53

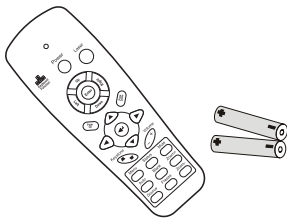
GETTING STARTED

Packing Checklist

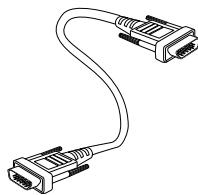
Carefully unpack the projector and check that the following items are included:



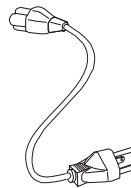
D9 SERIES DLP PROJECTOR



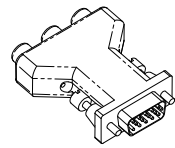
*REMOTE CONTROL
(WITH TWO AAA BATTERIES)*



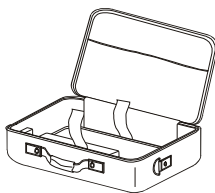
RGB CABLE



POWER CORD



*RGB TO COMPONENT
ADAPTER (OPTIONAL)*



CARRYING CASE



*CD-ROM
(THIS USER'S MANUAL)*



WARRANTY CARD

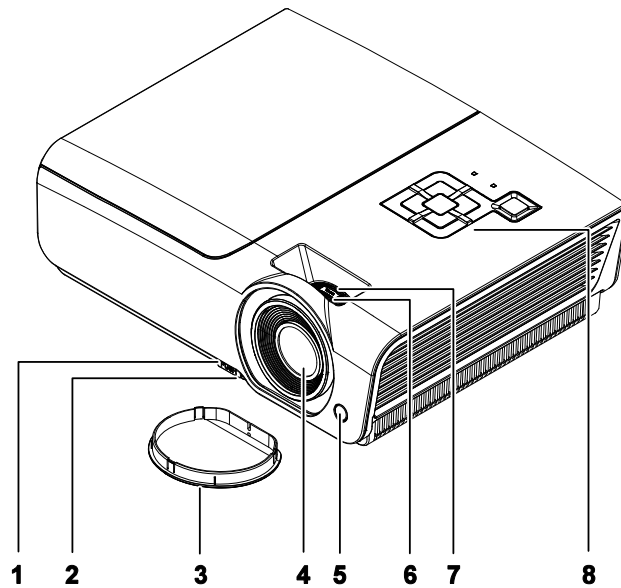
Contact your dealer immediately if any items are missing, appear damaged, or if the unit does not work. It is recommended that you keep the original packing material should you ever need to return the equipment for warranty service.

Caution:

Avoid using the projector in dusty environments.

Views of Projector Parts

D9 SERIES Front-right View



| ITEM | LABEL | DESCRIPTION | SEE PAGE: |
|------|----------------------------|--|-----------|
| 1. | Height-adjuster button | Push to release height adjuster | 15 |
| 2. | Height adjuster | Adjusts level of projector | |
| 3. | Lens cap | Protect lens when not in use | |
| 4. | Lens | Projection Lens | |
| 5. | IR receiver | Receive IR signal from remote control | 6 |
| 6. | Focus ring | Focuses the projected image | 16 |
| 7. | Zoom ring (VX Series only) | Enlarges the projected image | |
| 8. | Function keys | See Top view—On-screen Display (OSD) buttons and LEDs. | 3 |

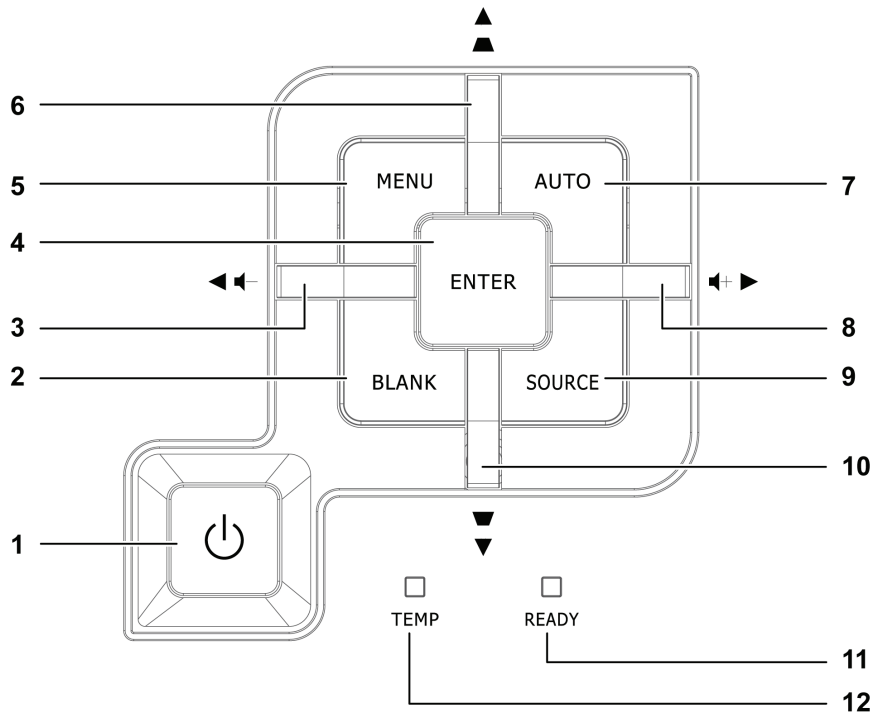
Important:

Ventilation openings on the projector allow for good air circulation, which keeps the projector lamp cool. Do not obstruct any of the ventilation openings.

Note:

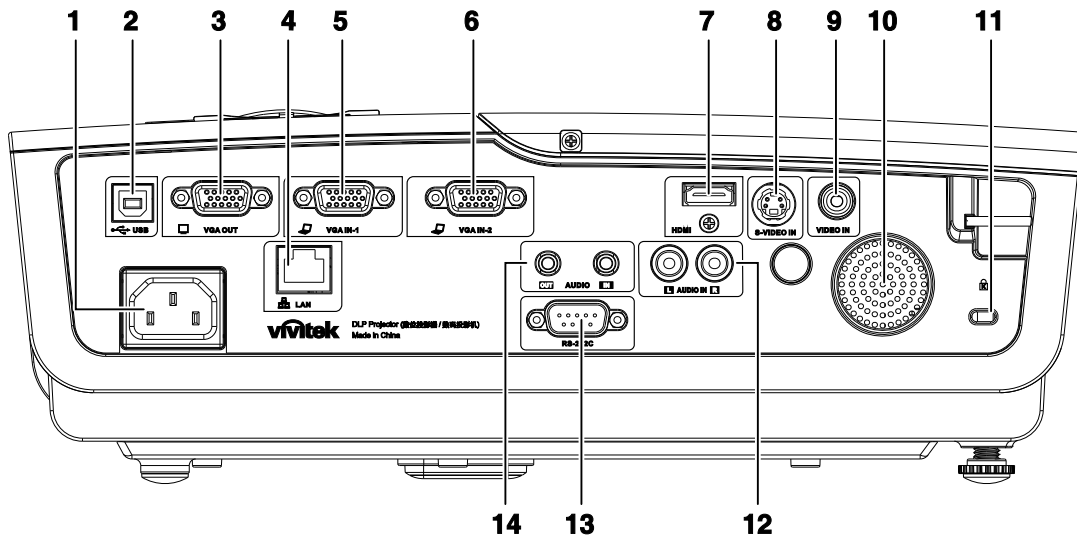
D930TX does not have the zoom ring.

Top view—On-screen Display (OSD) buttons and LEDs



| ITEM | LABEL | DESCRIPTION | | SEE PAGE: |
|------|-----------------------------|---|---|-----------|
| 1. | (Power button) | Turns the projector On or Off. | | 11 |
| 2. | BLANK | Displays a blank screen and mutes audio | | |
| 3. | ◀ (Left cursor) / Volume | Navigates and changes settings in the OSD Quick Menu – For Volume | | 18 |
| 4. | Enter | Enter or confirm highlighted OSD menu item | | |
| 5. | MENU | Opens and exits OSD menus | | |
| 6. | ▲ (Up cursor) / Keystone+ | Navigates and changes settings in the OSD Quick Menu – For Keystone | | |
| 7. | AUTO | Optimizes image size, position, and resolution | | |
| 8. | ▶ (Right cursor) / Volume | Navigates and changes settings in the OSD Quick Menu – For Volume | | 18 |
| 9. | SOURCE | Enter the Source menu | | 10 |
| 10. | ▼ (Down cursor) / Keystone- | Navigates and changes settings in the OSD Quick Menu – For Keystone | | 18 |
| 11. | READY LED | Red | Lamp is ready to be powered-on. | |
| | | Flashing | Lamp not ready (Warm-up/shutting down/cooling) (see <i>LED Error Messages</i> on page 45) | |
| 12. | TEMP LED | Flashing | Error code | |

Rear view

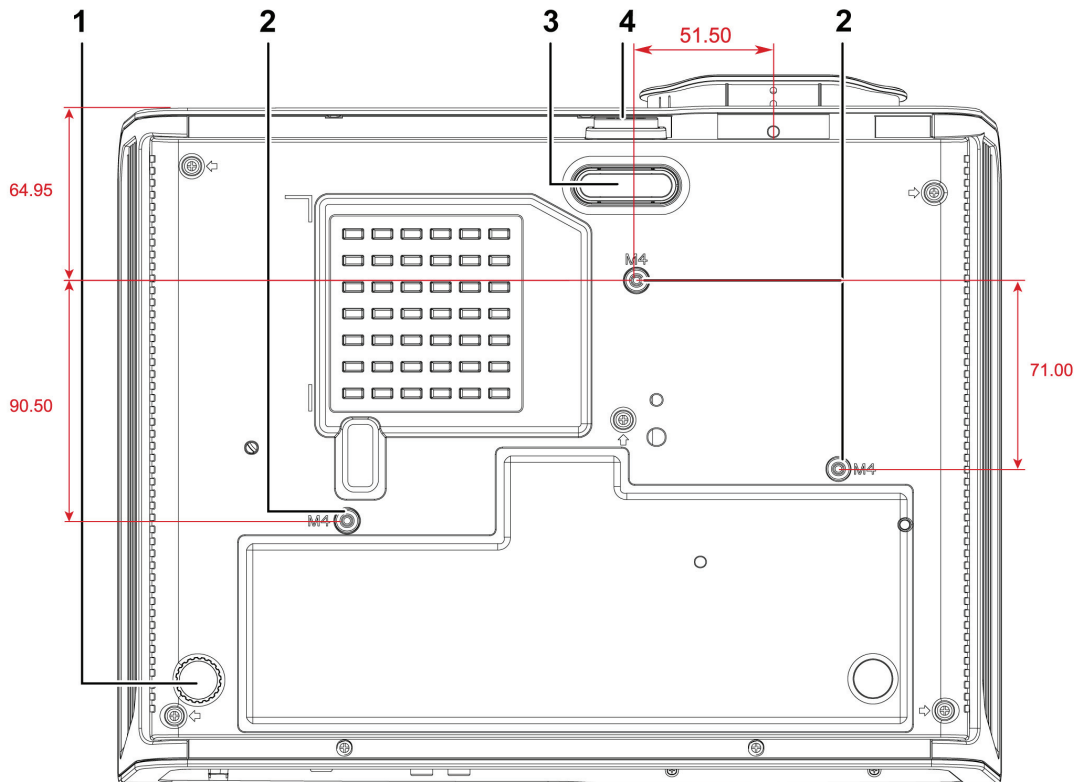


| ITEM | LABEL | DESCRIPTION | SEE PAGE: |
|------|-----------------------|---|-----------|
| 1. | AC IN | Connect the POWER CABLE | 11 |
| 2. | USB (USB) | Connect the USB CABLE from a computer | 10 |
| 3. | VGA OUT | Connect the RGB CABLE to a display (Loop Thru only for VGA IN-1) | |
| 4. | LAN | Connect a LAN CABLE from Ethernet | |
| 5. | VGA IN – 1 | Connect the RGB CABLE from a computer and components | |
| 6. | VGA IN – 2 | Connect the RGB CABLE from a computer and components | |
| 7. | HDMI | Connect the HDMI CABLE from a HDMI device | |
| 8. | S-VIDEO IN | Connect the S-VIDEO CABLE from a video device | |
| 9. | VIDEO IN | Connect the COMPOSITE CABLE from a video device | 43 |
| 10. | Speaker | Outputs audio sound | |
| 11. | Kensington Lock | Secure to permanent object with a Kensington® Lock system | 10 |
| 12. | AUDIO IN (L and R) | Connect the AUDIO CABLES from a audio device | |
| 13. | RS-232 | Connect RS-232 serial port cable for remote control | |
| 14. | AUDIO IN AUDIO OUT | Connect an AUDIO CABLE from the input device Connect an AUDIO CABLE for audio loop through | |

Note:

If your video equipment has various input sources, it is recommended to connect in priority of HDMI/DVI, component (thru VGA), S-Video, Composite for better picture quality.

Bottom view



| ITEM | LABEL | DESCRIPTION | SEE PAGE: |
|------|------------------------|--|-----------|
| 1. | Tilt adjustor | Rotate adjuster lever to adjust angle position. | 15 |
| 2. | Ceiling support holes | Contact your dealer for information on mounting the projector on a ceiling | |
| 3. | Height adjustor | Adjuster drops down when adjuster button is pushed. | 15 |
| 4. | Height adjustor button | Push to release adjustor. | |

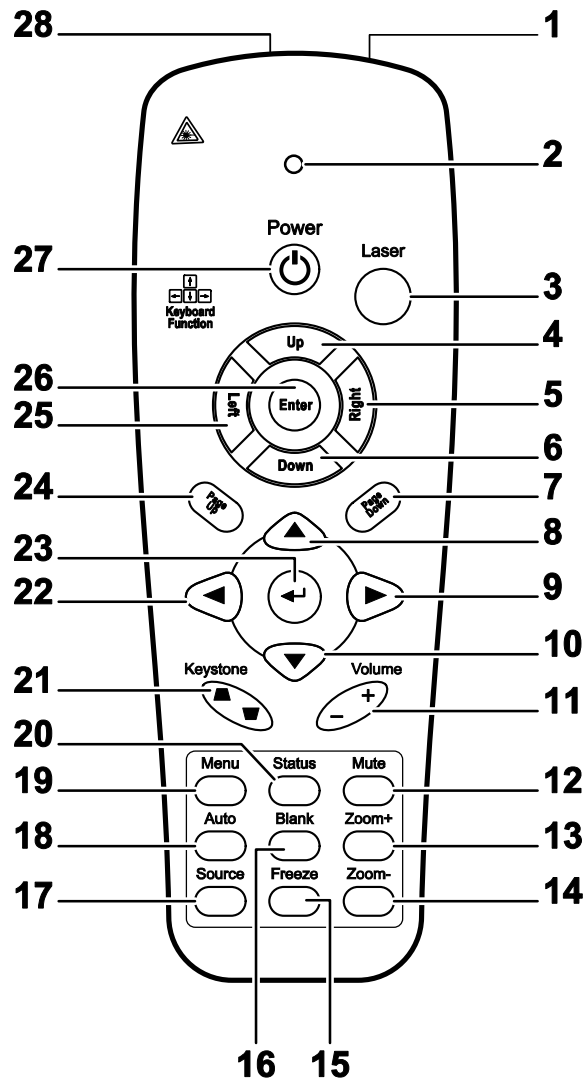
Note:

When installing, ensure that you use only UL Listed ceiling mounts.

For ceiling installations, use approved mounting hardware and M4 screws with a maximum screw depth of 6 mm (0.23 inch).

The construction of the ceiling mount must be of a suitable shape and strength. The ceiling mount load capacity must exceed the weight of the installed equipment, and as an additional precaution be capable of withstanding three times the weight of the equipment (not less than 5.15 kg) over a period of 60 seconds.

Remote Control Parts



Important:

1. Avoid using the projector with bright fluorescent lighting turned on. Certain high-frequency fluorescent lights can disrupt remote control operation.

2. Be sure nothing obstructs the path between the remote control and the projector. If the path between the remote control and the projector is obstructed, you can bounce the signal off certain reflective surfaces such as projector screens.

3. The buttons and keys on the projector have the same functions as the corresponding buttons on the remote control. This user's manual describes the functions based on the remote control.

| ITEM | LABEL | DESCRIPTION | SEE PAGE: |
|------|---------------------|--|-----------|
| 1. | IR transmitter | Transmits signals to projector | |
| 2. | Status LED | Lights when the remote control is used | |
| 3. | Laser | Press to operate the on-screen pointer | |
| 4. | Up | Up arrow when connected through USB to a PC | |
| 5. | Right | Right arrow when connected through USB to a PC | |
| 6. | Down | Down arrow when connected through USB to a PC | |
| 7. | Page Down | Page down when connected through USB to a PC | |
| 8. | Up cursor | Navigates and changes settings in the OSD | 18 |
| 9. | Right cursor | | |
| 10. | Down cursor | | |
| 11. | Volume +/- | Adjusts volume | 17 |
| 12. | Mute | Mutes the built-in speaker | |
| 13. | Zoom+ | Zoom in | 16 |
| 14. | Zoom- | Zoom out | |
| 15. | Freeze | Freeze/unfreezes the on-screen picture | |
| 16. | Blank | Makes the screen blank | |
| 17. | Source | Detects the input device | |
| 18. | Auto | Auto adjustment for phase, tracking, size, position | |
| 19. | Menu | Opens the OSD | 18 |
| 20. | Status | Opens the OSD Status menu (the menu only opens when an input device is detected) | 38 |
| 21. | Keystone top/bottom | Corrects image-trapezoid (wider top/bottom) effect | 16 |
| 22. | Left cursor | Navigates and changes settings in the OSD | 18 |
| 23. | Enter | Changes settings in the OSD | |
| 24. | Page Up | Page up when connected through USB to a PC | |
| 25. | Left | Left arrow when connected through USB to a PC | |
| 26. | Enter | Enter key when connected through USB to a PC | |
| 27. | Power | Turns the projector on or off | 11 |
| 28. | Laser | Use as on-screen pointer. DO NOT POINT IN EYES. | |

Remote Control Operating Range

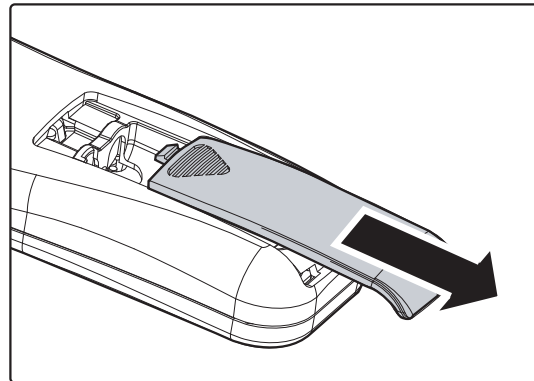
The remote control uses infrared transmission to control the projector. It is not necessary to point the remote directly at the projector. Provided you are not holding the remote perpendicular to the sides or the rear of the projector, the remote will function well within a radius of about 7 meters (23 feet) and 15 degrees above or below the projector level. If the projector does not respond to the remote control, move a little closer.

Projector and Remote Control Buttons

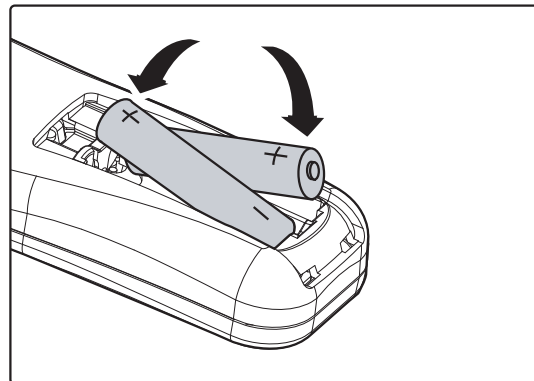
The projector can be operated using the remote control or the buttons on the top of the projector. All operations can be carried out with the remote control; however, the buttons on the projector are limited in use.

Inserting the Remote Control Batteries

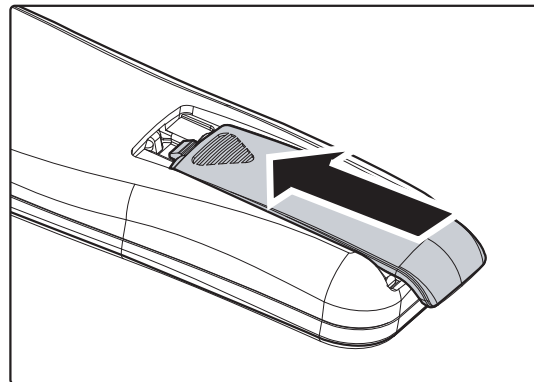
1. Remove the battery compartment cover by sliding the cover in the direction of the arrow.



2. Insert the battery with the positive side facing up.



3. Replace the cover.

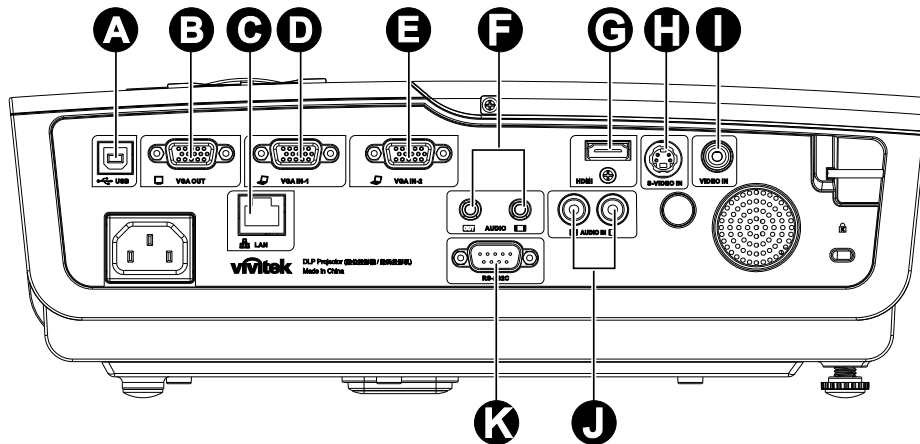


Caution:

1. Only use AAA batteries (Alkaline batteries are recommended).
2. Dispose of used batteries according to local ordinance regulations.
3. Remove the batteries when not using the projector for prolonged periods.

Connecting Input Devices

A PC or notebook computer and video devices can be connected to the projector at the same time. Video devices include DVD, VCD, and VHS players, as well as movie camcorders and digital still cameras. Check the user manual of the connecting device to confirm it has the appropriate output connector.



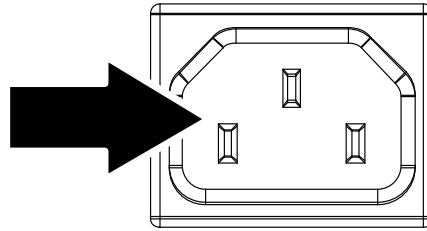
| ITEM | LABEL | DESCRIPTION |
|----------|-----------------------|---|
| A | (USB) | Connect the USB CABLE from a computer |
| B | VGA OUT | Connect the RGB CABLE to a display (Loop Thru only for VGA IN-1) |
| C | LAN | Connect a LAN CABLE from Ethernet |
| D | VGA IN – 1 | Connect the RGB CABLE from a computer and components |
| E | VGA IN – 2 | Connect the RGB CABLE from a computer and components |
| F | AUDIO IN AUDIO OUT | Connect an AUDIO CABLE from the input device Connect an AUDIO CABLE for audio loop through |
| G | HDMI | Connect the HDMI CABLE from a HDMI device |
| H | S-VIDEO | Connect the S-VIDEO CABLE from a video device |
| I | VIDEO IN | Connect the COMPOSITE CABLE from a video device |
| J | AUDIO IN (L and R) | Connect the AUDIO CABLES from a audio device |
| K | RS-232C | Connect the RS-232 serial cable for remote control |

Warning:

As a safety precaution, disconnect all power to the projector and connecting devices before making connections.

Starting and Shutting down the Projector

1. Connect the power cord to the projector. Connect the other end to a wall outlet. The **POWER** and **READY** LEDs on the projector light.



2. Turn on the connected devices.

3. Ensure the **READY** LED displays a solid red and not a flashing red. Then press the **POWER** button to turn on the projector.

The projector splash screen displays and connected devices are detected.

See *Setting an Access Password (Security Lock)* on page 13 if security lock is enabled.



4. If more than one input device is connected, press the **SOURCE** button and use **▲▼** to scroll among devices. (Component is supported through the RGB to COMPONENT ADAPTER.)



- VGA 1/VGA 2: Analog RGB
Component: DVD input YCbCr / YPbPr, or HDTV input YPbPr via HD15 connector
- Composite Video: Traditional composite video
- S-Video: Super video (Y/C separated)
- HDMI: HDMI, DVI

5. When the “Power Off? /Press Power again” message appears, press the **POWER** button. The projector turns off.



Caution:

1. Be sure to remove the lens cap before starting projector.
2. Do not unplug the power cord until the READY LED stops flashing—indicating the projector has cooled down.

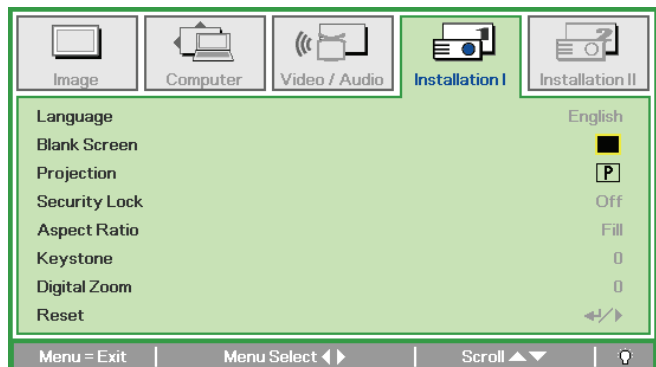
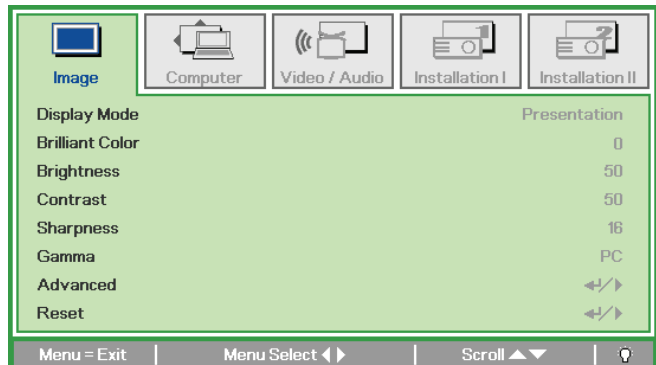
Setting an Access Password (Security Lock)

You can use the four (arrow) buttons to set a password and prevent unauthorized use of the projector. When enabled, the password must be entered after you power on the projector. (See *Navigating the OSD* on page 18 and *Setting the OSD Language* on page 19 for help on using OSD menus.)

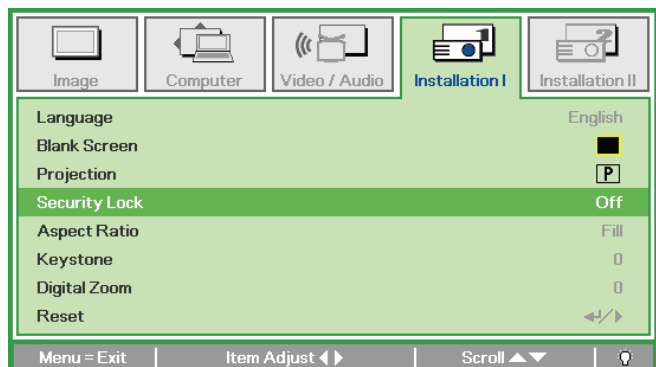
Important:

Keep the password in a safe place. Without the password, you will not be able to use the projector. If you lose the password, contact your reseller for information on clearing the password.

1. Press the **MENU** button to open the OSD menu.
2. Press the cursor **◀▶** button to move to the **Installation I** menu.

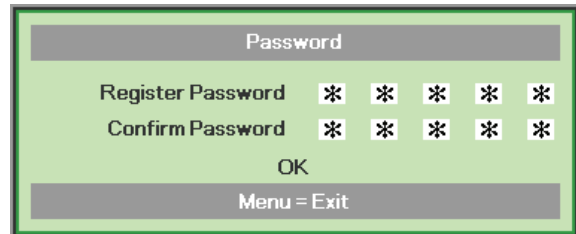
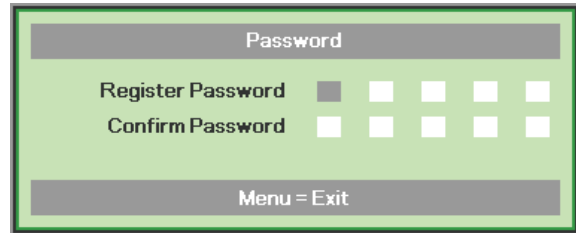


3. Press the cursor **▲▼** button to select **Security Lock**.
4. Press the cursor **◀▶** button to enable or disable security lock function.
A password dialog box automatically appears.

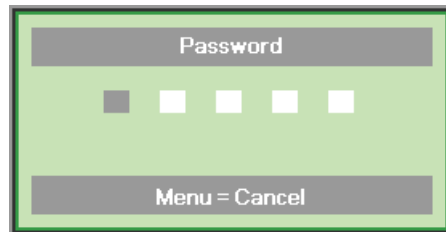


5. You can use the cursor buttons ▲▼◀▶ either on keypad or IR remote control for password entry. You can use any combination including the same arrow five times, but not less than five.

Press the cursor buttons in any order to set the password. Push the **MENU** button to exit the dialog box.



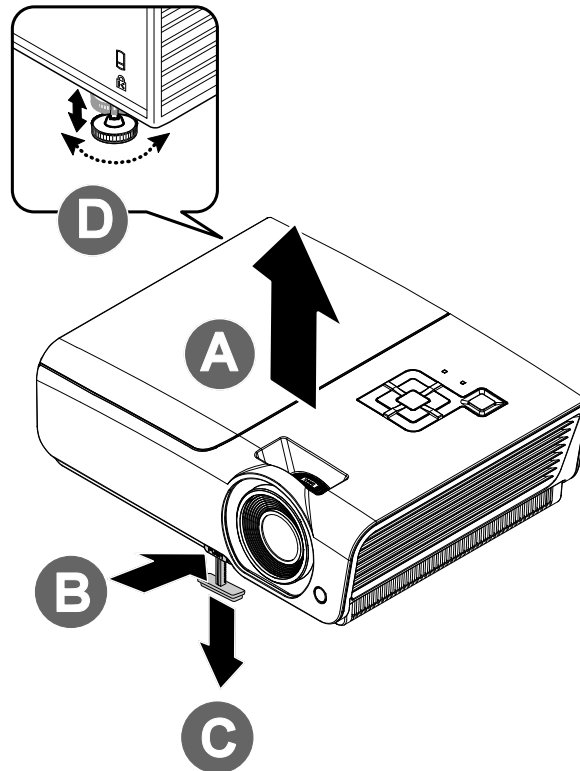
6. The password confirm menu appears when user presses the power-on key in case the **Security Lock** is enabled. Enter the password in the order you set it at step 5. In case you forget the password, please contact the service center. Service center will validate the owner and help reset the password.



Adjusting the Projector Level

Take note of the following when setting up the projector:

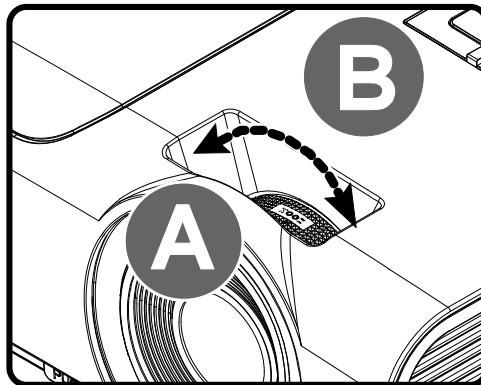
- *The projector table or stand should be level and sturdy.*
- *Position the projector so that it is perpendicular to the screen.*
- *Ensure the cables are in a safe location. You could trip over them.*



1. To raise the level of the projector, lift the projector [A] and press the height-adjuster button [B].
The height adjuster drops down [C].
2. To lower the level of the projector, press the height-adjuster button and push down on the top of the projector.
3. To adjust the angle of the picture, turn the tilt-adjuster [D] right or left until the desired angle has been achieved.

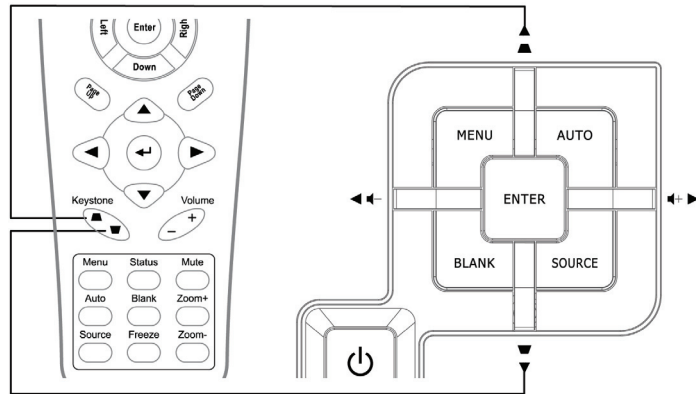
Adjusting the Zoom ring (VX Series only), Focus and Keystone

1. Use the **Image-zoom** control (on the projector only) to resize the projected image and screen size **B**.



2. Use the **Image-focus** control (on the projector only) to sharpen the projected image **A**.

3. Use the **KEYSTONE** buttons (on the projector or the remote control) to correct image-trapezoid (wider top or bottom) effect.



Remote control and OSD panel

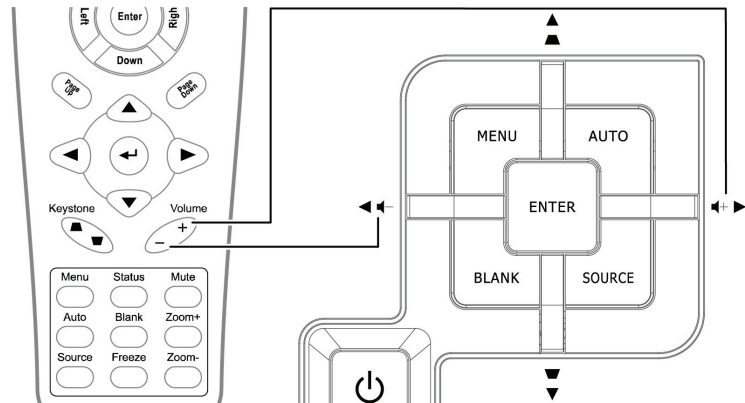
4. The keystone control appears on the display.



Note:
D930TX does not have the zoom ring.

Adjusting the Volume

1. Press the **Volume +/-** buttons on the remote control.
The volume control appears on the display.



2. Press the **Left** or **Right Cursor** buttons on the keypad to adjust **Volume +/-**.



3. Press the **MUTE** button to turn off the volume (This feature is available only on the remote).



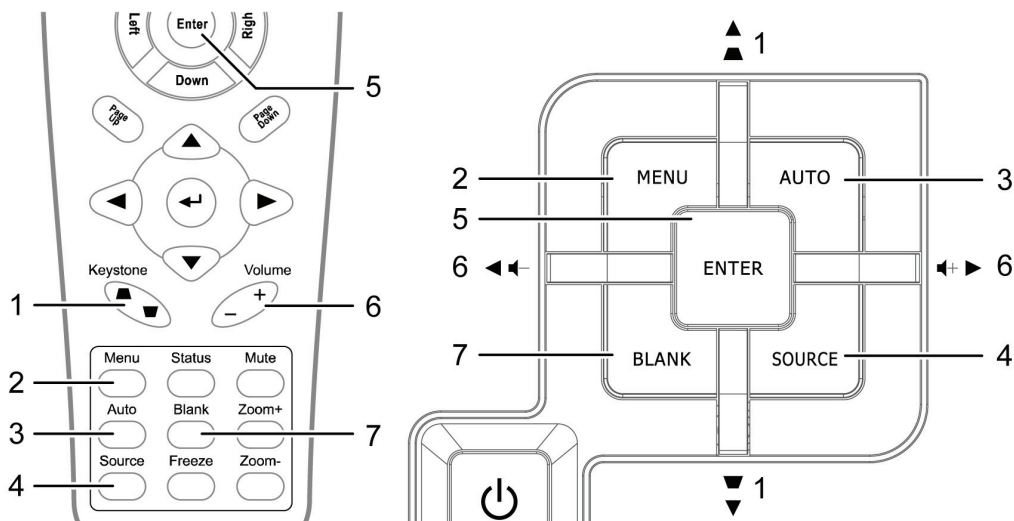
ON-SCREEN DISPLAY (OSD) MENU SETTINGS

OSD Menu Controls

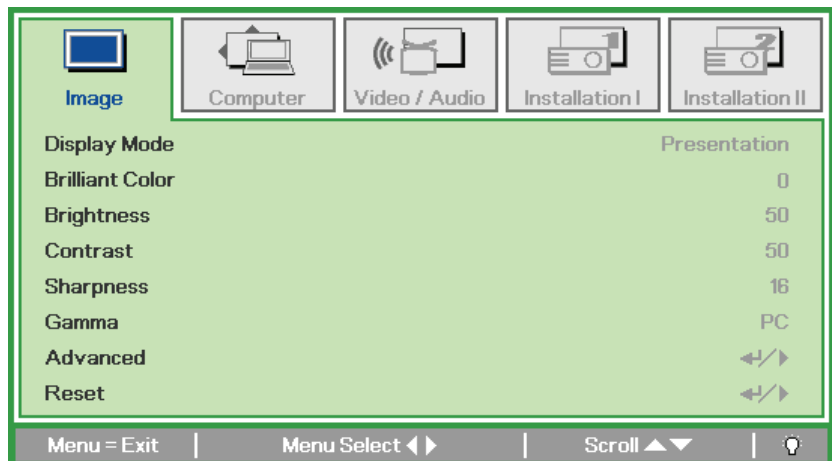
The projector has an OSD that lets you make image adjustments and change various settings.

Navigating the OSD

You can use the remote control cursor buttons or the buttons on the top of the projector to navigate and make changes to the OSD. The following illustration shows the corresponding buttons on the projector.



1. To enter the OSD, press the **MENU** button.
2. There are five menus. Press the cursor ◀▶ button to move through the menus.
3. Press the cursor ▲▼ button to move up and down in a menu.
4. Press ◀▶ to change values for settings.
5. Press **MENU** to close the OSD or leave a submenu.



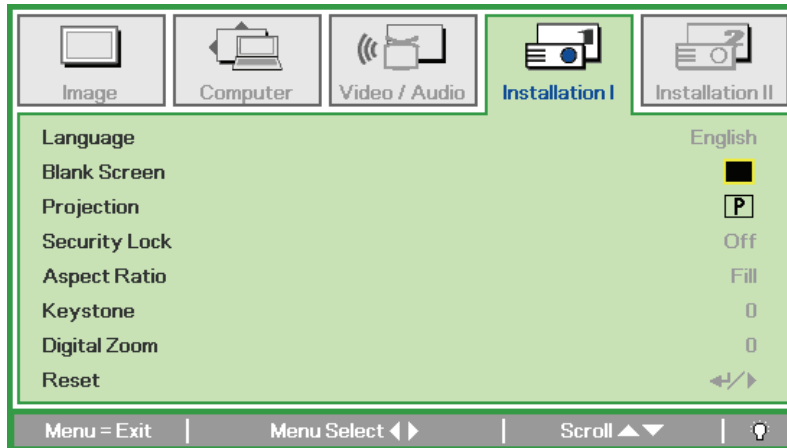
Note:

Depending on the video source, not all items in the OSD are available. For example, the **Horizontal/Vertical Position** items in the **Computer** menu can only be modified when connected to a PC. Items that are not available cannot be accessed and are grayed out.

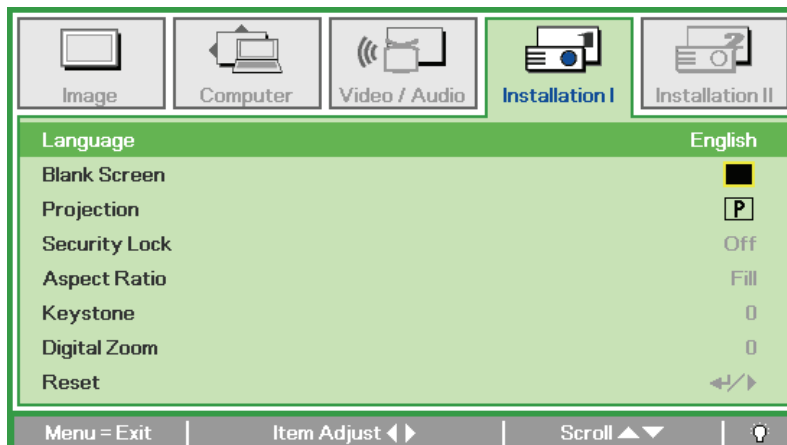
Setting the OSD Language

Set the OSD language to your preference before continuing.

1. Press the **MENU** button. Press the cursor ◀▶ button to navigate to Installation I.



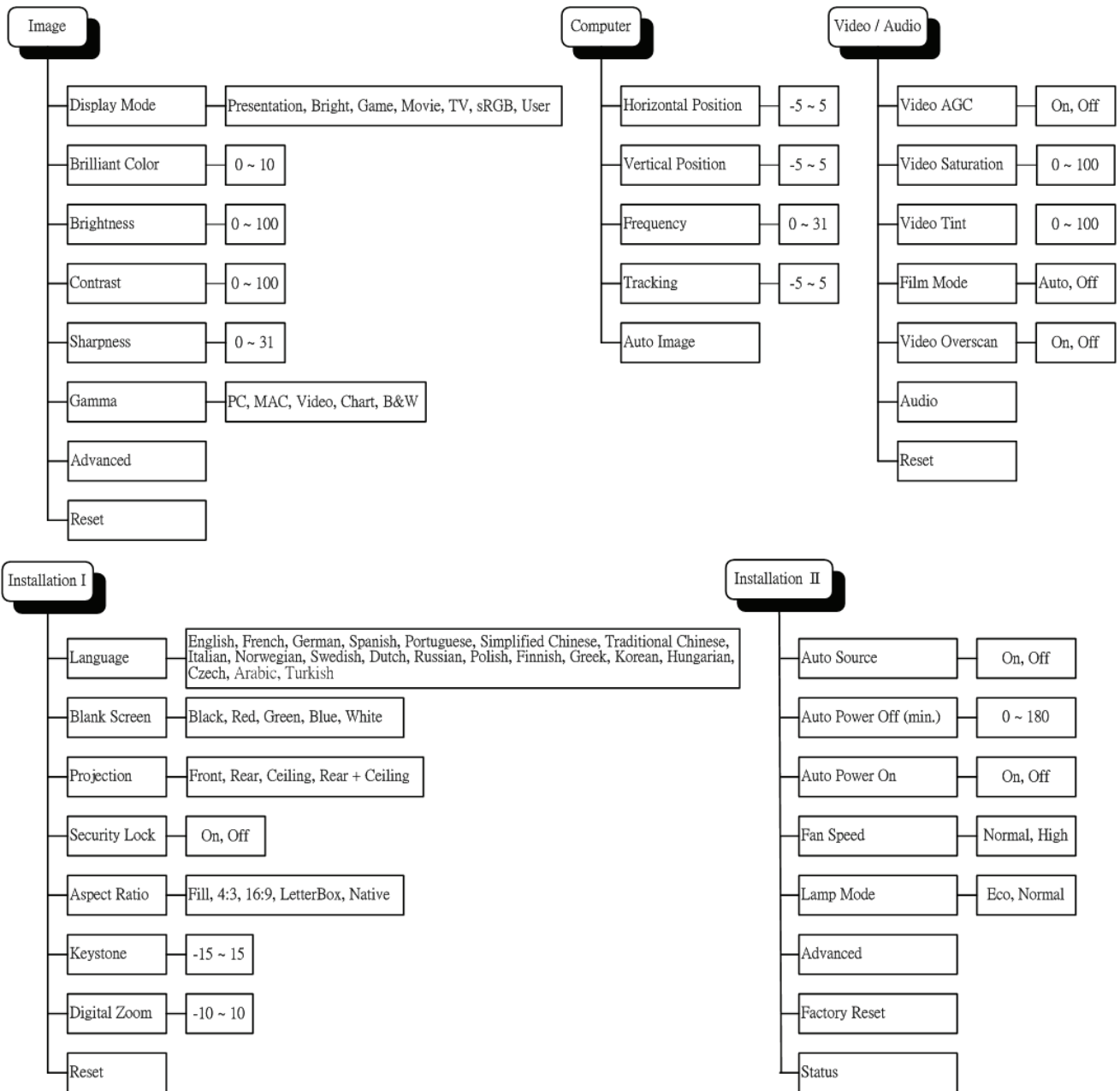
2. Press the cursor ▲▼ button until **Language** is highlighted.



3. Press the cursor ◀▶ button until the language you want is highlighted.
4. Press the **MENU** button twice to close the OSD.

OSD Menu Overview

Use the following illustration to quickly find a setting or determine the range for a setting.



OSD Sub-Menu Overview

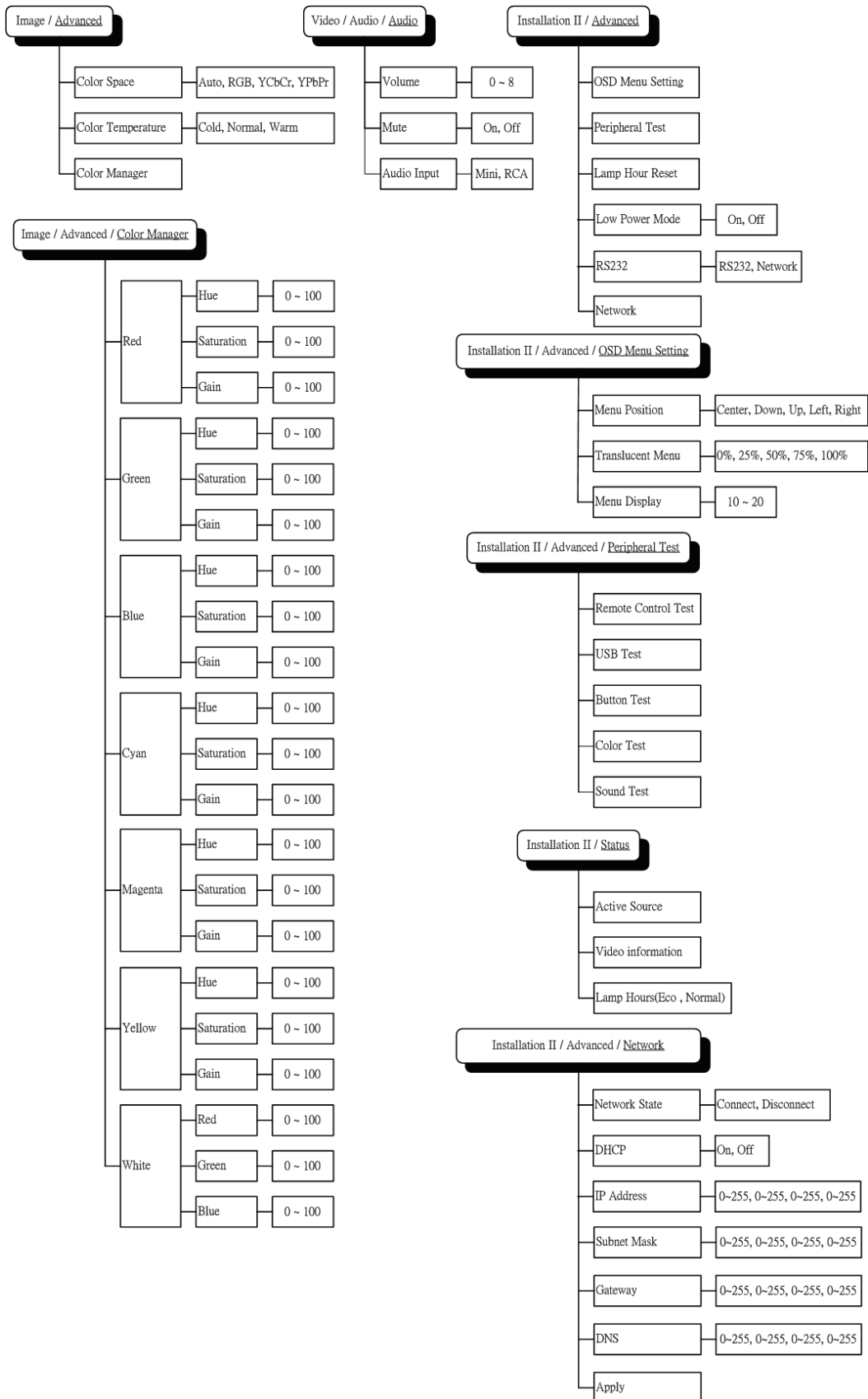
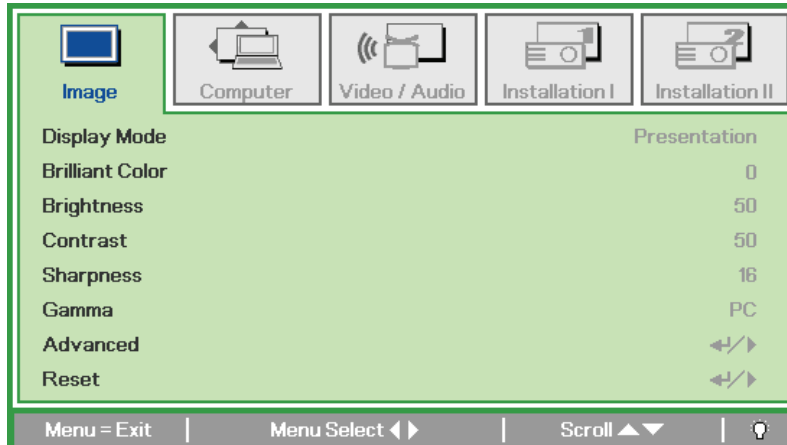


Image Menu

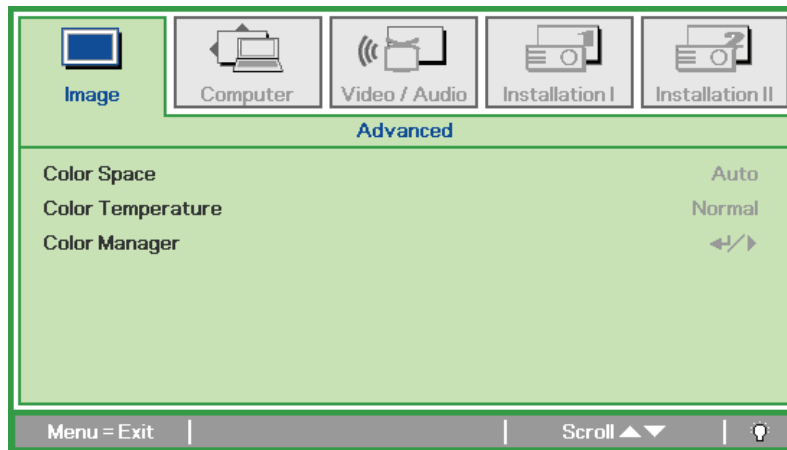
Press the **MENU** button to open the **OSD** menu. Press the cursor **◀▶** button to move to the **Image Menu**. Press the cursor **▲▼** button to move up and down in the **Image** menu. Press **◀▶** to change values for settings.



| ITEM | DESCRIPTION |
|-----------------|--|
| Display Mode | Press the cursor ◀▶ button to set the Display Mode. |
| Brilliant Color | Press the cursor ◀▶ button to adjust the Brilliant Color value. |
| Brightness | Press the cursor ◀▶ button to adjust the display brightness. |
| Contrast | Press the cursor ◀▶ button to adjust the display contrast. |
| Sharpness | Press the cursor ◀▶ button to adjust the display sharpness level. |
| Gamma | Press the cursor ◀▶ button to adjust the gamma correction of the display. |
| Advanced | Press ◀↵ (Enter) / ▶ to enter the Advanced menu. See <i>Advanced Feature</i> on page 23. |
| Reset | Press ◀↵ (Enter) / ▶ to reset all settings to default values. |

Advanced Feature

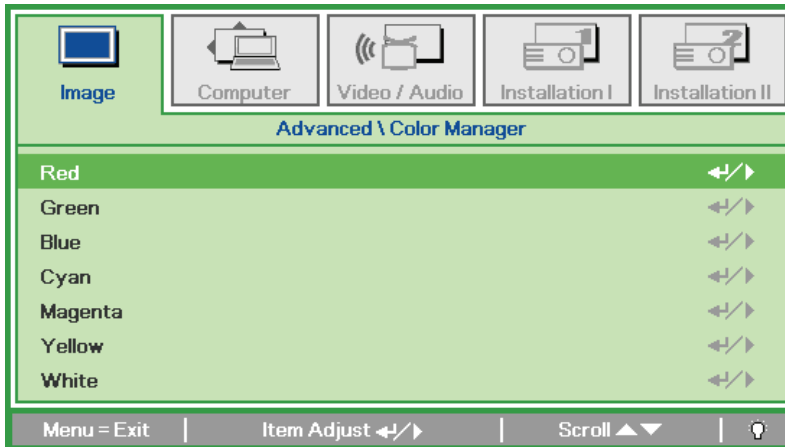
Press the **Menu** button to open the **OSD** menu. Press ◀▶ to move to the **Image** menu. Press ▼▲ to move to the **Advanced** menu and then press **Enter** or ▶. Press ▼▲ to move up and down in the **Advanced** menu.



| ITEM | DESCRIPTION |
|-------------------|--|
| Color Space | Press the cursor ◀▶ button to adjust the color space. (Range: Auto – RGB – YPbPr – YCbCr) |
| Color Temperature | Press the cursor ◀▶ button to adjust the color temperature. (Range: Cold – Normal – Warm) |
| Color Manager | Press ◀ (Enter) / ▶ to enter the color manager menu. (Range: Red-Green-Blue-Cyan-Magenta-Yellow-White). See page 24 for more information on Color Manager. |

Color Manager

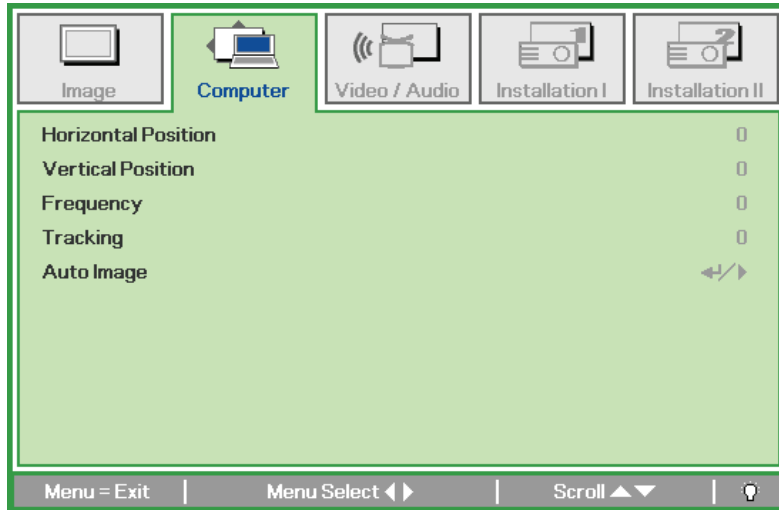
Press ◀ (Enter) / ▶ to enter the **Color Manager** sub menu.



| ITEM | DESCRIPTION |
|---------|---|
| Red | Select to enter the Red Color Manager. Press the ◀▶ buttons to adjust the Hue, Saturation, and Gain. |
| Green | Select to enter the Green Color Manager. Press the ◀▶ buttons to adjust the Hue, Saturation, and Gain. |
| Blue | Select to enter the Blue Color Manager. Press the ◀▶ buttons to adjust the Hue, Saturation, and Gain. |
| Cyan | Select to enter the Cyan Color Manager. Press the ◀▶ buttons to adjust the Hue, Saturation, and Gain. |
| Magenta | Select to enter the Magenta Color Manager. Press the ◀▶ buttons to adjust the Hue, Saturation, and Gain. |
| Yellow | Select to enter the Yellow Color Manager. Press the ◀▶ buttons to adjust the Hue, Saturation, and Gain. |
| White | Select to enter the White Color Manager. Press the ◀▶ buttons to adjust the Red, Green, and Blue. |

Computer Menu

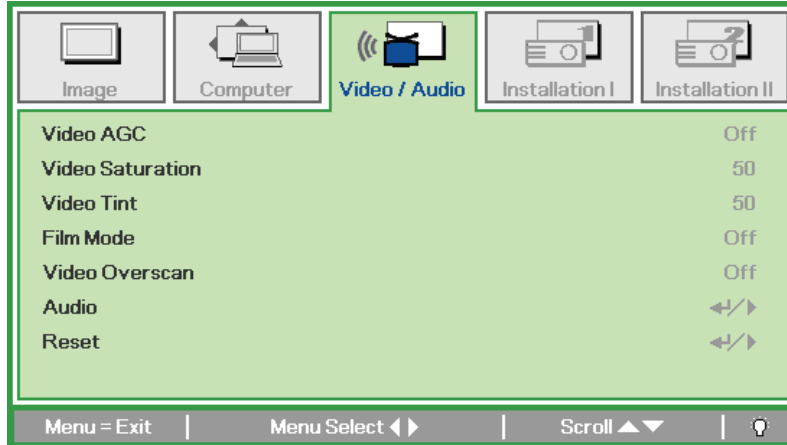
Press the **MENU** button to open the **OSD** menu. Press the cursor ◀▶ button to move to the **Computer** menu. Press the cursor ▲▼ button to move up and down in the computer menu. Press ◀▶ to change values for settings.



| ITEM | DESCRIPTION |
|---------------------|---|
| Horizontal Position | Press the cursor ◀▶ button to adjust the display position to left or right. |
| Vertical Position | Press the cursor ◀▶ button to adjust the display position to up or down. |
| Frequency | Press the cursor ◀▶ button to adjust the A/D sampling clock. |
| Tracking | Press the cursor ◀▶ button to adjust the A/D sampling dot. |
| Auto Image | Press ⏎ (Enter) / ▶ to automatically adjustment for phase, tracking, size and position. |

Video/Audio Menu

Press the **MENU** button to open the **OSD** menu. Press the cursor ◀▶ button to move to the **Video/Audio** menu. Press the cursor ▲▼ button to move up and down in the **Video/Audio** menu. Press ◀▶ to change values for settings.



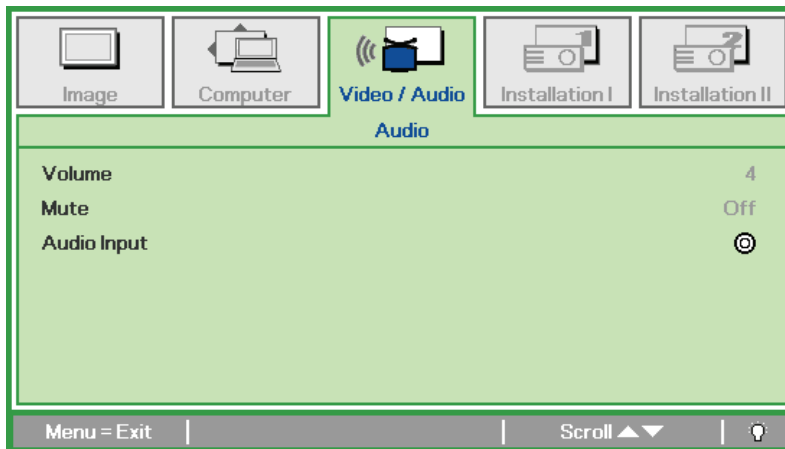
| ITEM | DESCRIPTION |
|------------------|--|
| Video AGC | Press the ◀▶ buttons to enable or disable the Automatic Gain Control for video source. |
| Video Saturation | Press the ◀▶ buttons to adjust the video saturation. |
| Video Tint | Press the ◀▶ buttons to adjust the video tint/hue. |
| Film Mode | Press the ◀▶ buttons to select a different film mode. |
| Video Overscan | Press the ◀▶ buttons to enable or disable video over scan. |
| Audio | Press ◀ (Enter) / ▶ to enter the Audio menu. See <i>Audio</i> on page 27. |
| Reset | Press ◀ (Enter) / ▶ to reset all settings to default values. |

Note:

Video jaggling may occur when playing interlace video. To overcome this issue, open the Video / Audio menu and adjust the Film Mode feature.

Audio

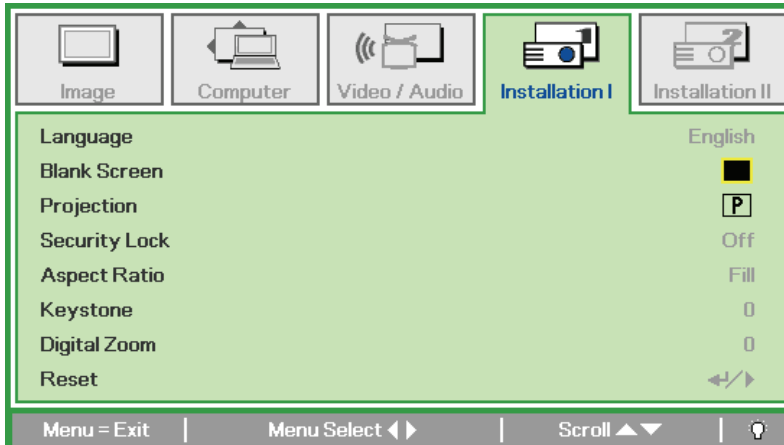
Press ◀ (Enter) / ▶ to enter the **Audio** sub menu.



| ITEM | DESCRIPTION |
|-------------|--|
| Volume | Press the ◀▶ buttons to adjust the audio volume. (Range: 0 ~ 8) |
| Mute | Press the ◀▶ buttons to turn on or off the speaker. |
| Audio Input | Press the cursor ◀▶ button to select audio input. (Range: Mini ~ RCA) |

Installation I Menu

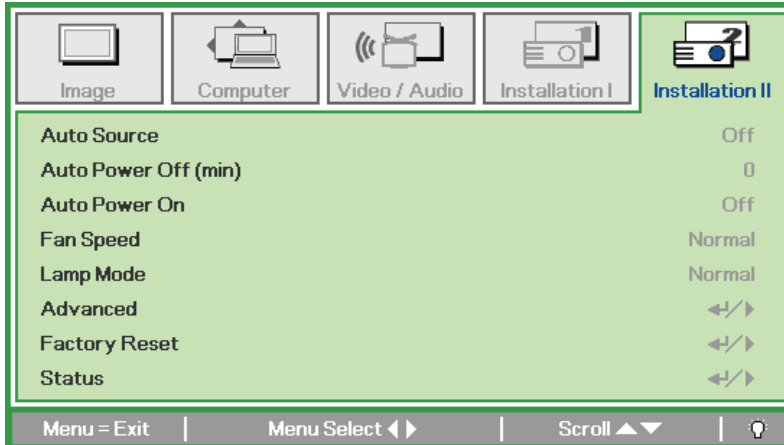
Press the **MENU** button to open the **OSD** menu. Press the cursor ◀▶ button to move to the **Installation I** menu. Press the cursor ▲▼ button to move up and down in the **Installation I** menu. Press ◀▶ to change values for settings.



| ITEM | DESCRIPTION |
|---------------|--|
| Language | Press the cursor ◀▶ button to select a different localization Menu. |
| Blank Screen | Press the cursor ◀▶ button to select different color to blank the screen. |
| Projection | Press the cursor ◀▶ button to choose from four projection methods: |
| Security Lock | Press the cursor ◀▶ button to enable or disable security lock function. |
| Aspect Ratio | Press the cursor ◀▶ button to adjust the video aspect ratio. |
| Keystone | Press the cursor ◀▶ button to adjust the display keystone. |
| Digital Zoom | Press the cursor ◀▶ button to adjust the Digital Zoom menu. |
| Reset | Press ◀ (Enter) / ▶ to reset all settings to default values (except Language and Security Lock). |

Installation II Menu

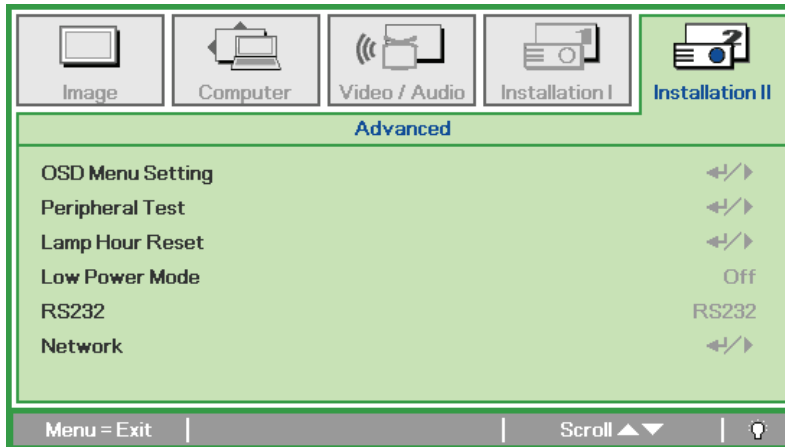
Press the **MENU** button to open the **OSD** menu. Press the cursor ◀▶ button to move to the **Installation II** menu. Press the cursor ▲▼ button to move up and down in the Installation II menu.



| ITEM | DESCRIPTION |
|-----------------------|---|
| Auto Source | Press the cursor ◀▶ button to enable or disable automatic source detection. |
| Auto Power Off (min.) | Press the cursor ◀▶ button to enable or disable automatic shutdown of lamp when no signal. |
| Auto Power On | Press the cursor ◀▶ button to enable or disable automatic power On when AC power is supplied. |
| Fan Speed | Press the cursor ◀▶ button to toggle between Normal and High fan speeds. Note: We recommend selecting high speed in high temperatures, high humidity, or high altitude areas. |
| Lamp Mode | Press the cursor ◀▶ button to select the lamp mode for higher brightness or lower brightness to save lamp life. |
| Advanced | Press ◀ (Enter) / ▶ to enter the Advanced menu. See <i>Advanced Feature</i> on page 30. |
| Factory Reset | Press ◀ (Enter) / ▶ to reset all items to factory preset values. |
| Status | Press ◀ (Enter) / ▶ to enter the Status menu. See page 38 for more information on Status. |

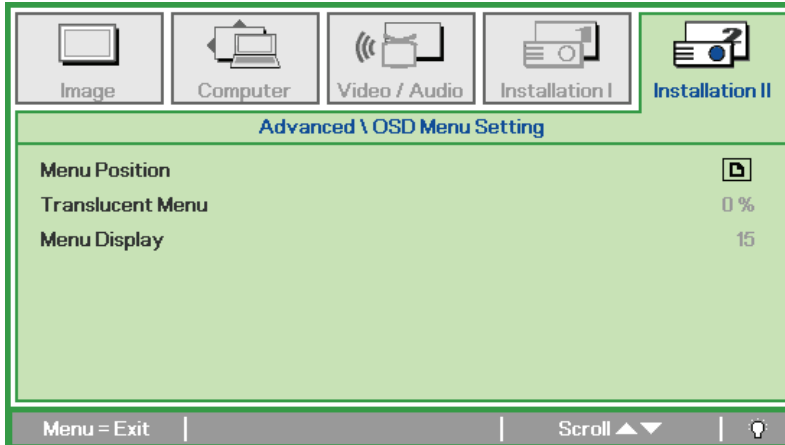
Advanced Feature

Press the **Menu** button to open the **OSD** menu. Press ◀▶ to move to the **Installation II** menu. Press ▲▼ to move to the **Advanced** menu and then press **Enter** or ▶. Press ▲▼ to move up and down in the **Advanced** menu. Press ◀▶ to change values for setting.



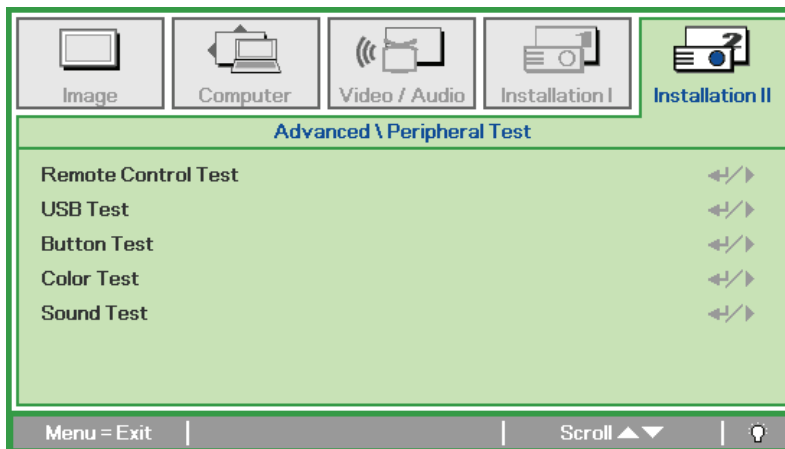
| ITEM | DESCRIPTION |
|------------------|---|
| OSD Menu Setting | Press ◀ (Enter) / ▶ to enter the OSD setting menu. See page 31 for more information on OSD Menu Setting. |
| Peripheral Test | Press ◀ (Enter) / ▶ to enter the Peripheral Test menu. See page 31 for more information on Peripheral Test. |
| Lamp Hour Reset | After replacing the lamp, this item should be reset. See page 32 for more information on Lamp Hour Reset. |
| Low Power Mode | Press ◀▶ to turn Low Power Mode on or off. |
| RS232 | Press ◀▶ to select RS232 (remote) or Network (LAN) mode depending on projector connection method. |
| Network | Press ◀ (Enter) / ▶ to enter the Network menu. See page 32 for more information on Network settings. |

OSD Menu Setting



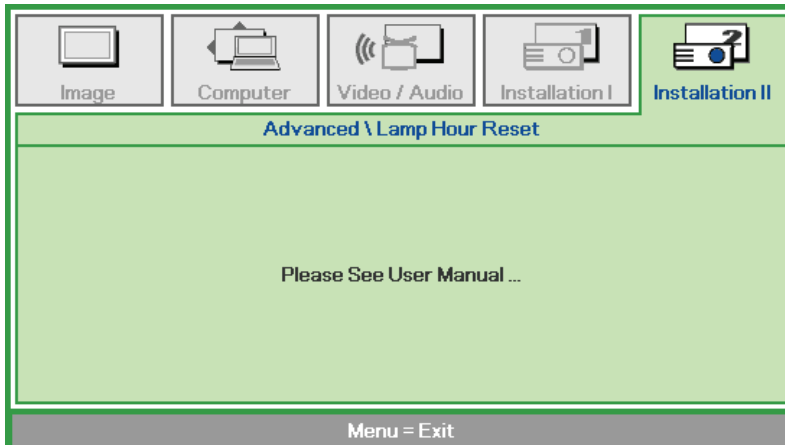
| ITEM | DESCRIPTION |
|------------------|---|
| Menu Position | Press ◀▶ button to select different OSD location. |
| Translucent Menu | Press ◀▶ button to select OSD background translucent level. |
| Menu Display | Press ◀▶ button to select OSD timeout delay. |

Peripheral Test



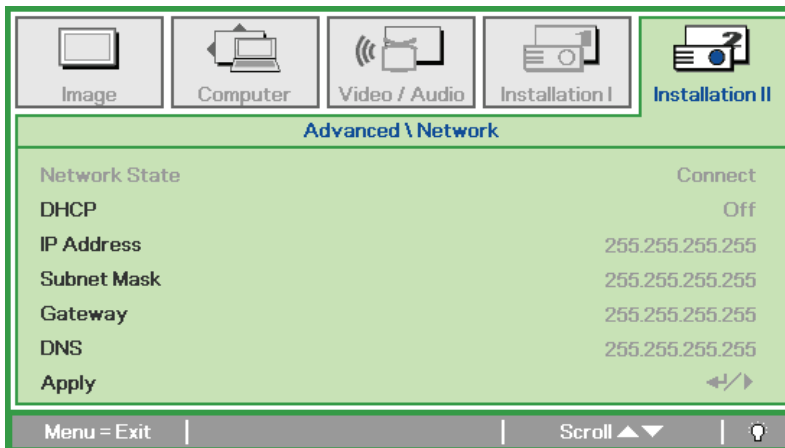
| ITEM | DESCRIPTION |
|---------------------|--|
| Remote Control Test | Press ◀ (Enter) / ▶ to test the IR remote controller for diagnostic. |
| USB Test | Press ◀ (Enter) / ▶ to test the USB connection with connected PC. |
| Button Test | Press ◀ (Enter) / ▶ to test the button on keypad. |
| Color Test | Press ◀ (Enter) / ▶ to select different colors on screen. |
| Sound Test | Press ◀ (Enter) / ▶ to test sound output. |

Lamp Hour Reset



Please refer to *Resetting the Lamp* on page 41 to reset the lamp hour counter.

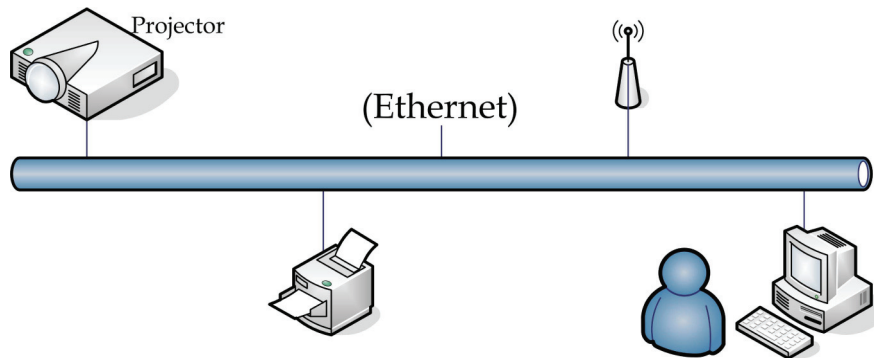
Network



| ITEM | DESCRIPTION |
|---------------|---|
| Network State | Displays the network connection status. |
| DHCP | Press ◀▶ to turn DHCP On or Off. Note: If you select DHCP Off, complete the IP Address, Subnet Mask, Gateway, and DNS fields. |
| IP Address | Enter a valid IP address if DHCP is turned off. |
| Subnet Mask | Enter a valid Subnet Mask if DHCP is turned off. |
| Gateway | Enter a valid Gateway address if DHCP is turned off. |
| DNS | Enter a valid DNS name if DHCP is turned off. |
| Apply | Press ◀ (Enter) / ▶ to confirm settings. |

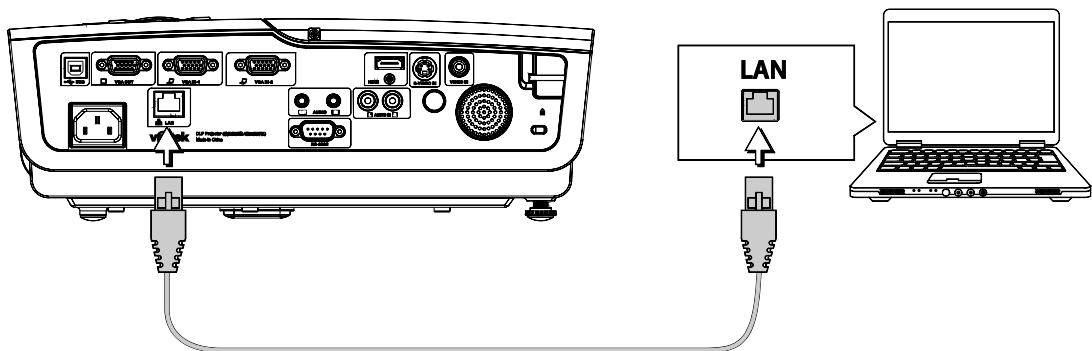
For simplicity and ease of operation, the projector provides diverse networking and remote management features.

The LAN/RJ45 function of the projector through a network, such as remotely manage: Power On/Off, Brightness and Contrast settings. Also, projector status information, such as: Video-Source, Sound-Mute, etc.

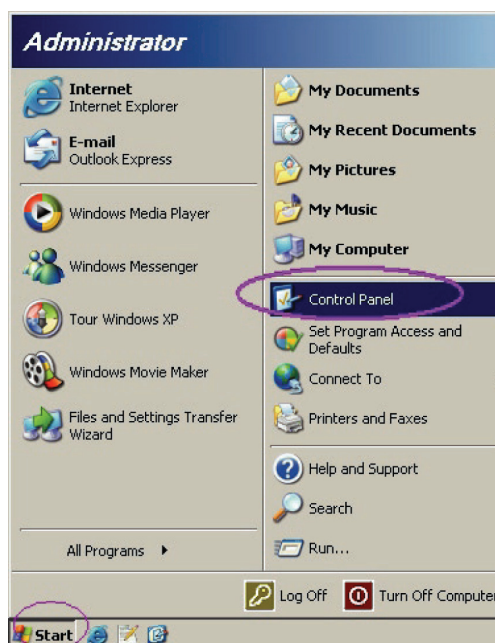


LAN_RJ45

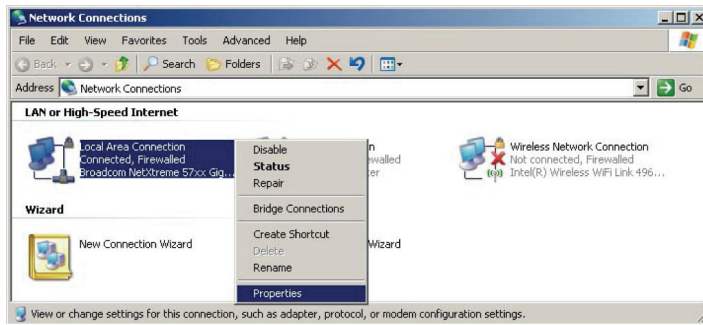
1. Connect an RJ45 cable to RJ45 ports on the projector and the PC (Laptop).



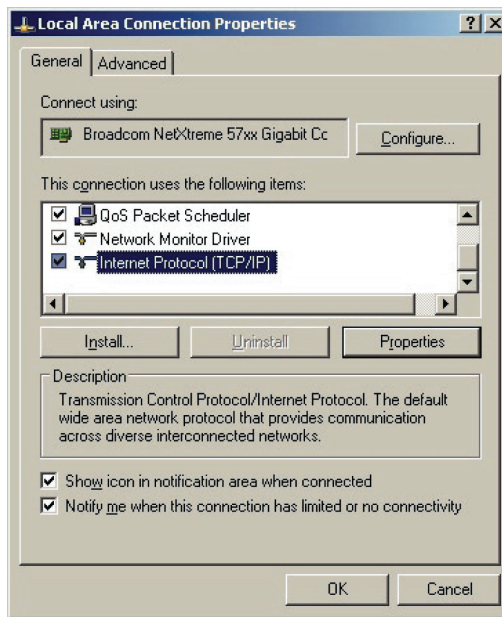
2. On the PC (Laptop), select **Start** → **Control Panel** → **Network Connections**.



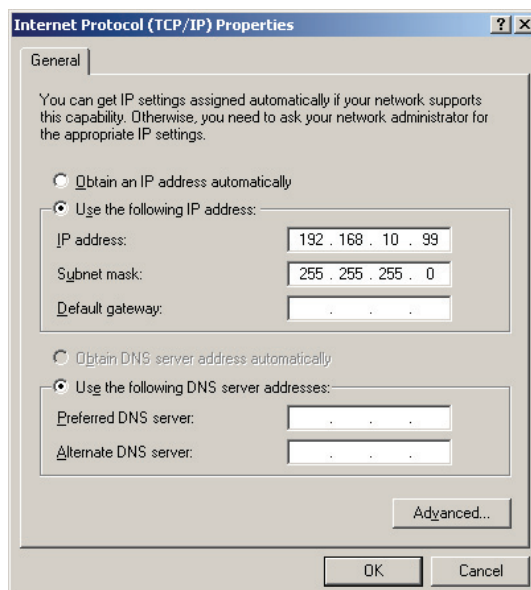
3. Right-click on **Local Area Connection**, and select **Properties**.



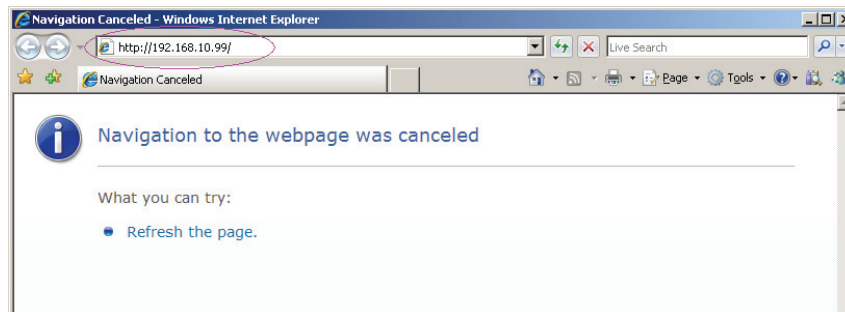
4. In the **Properties** window, select the **General** tab, and select **Internet Protocol (TCP/IP)**.
5. Click **Properties**.



6. Click **Use the following IP address** and fill in the IP address and Subnet mask, then click **OK**.

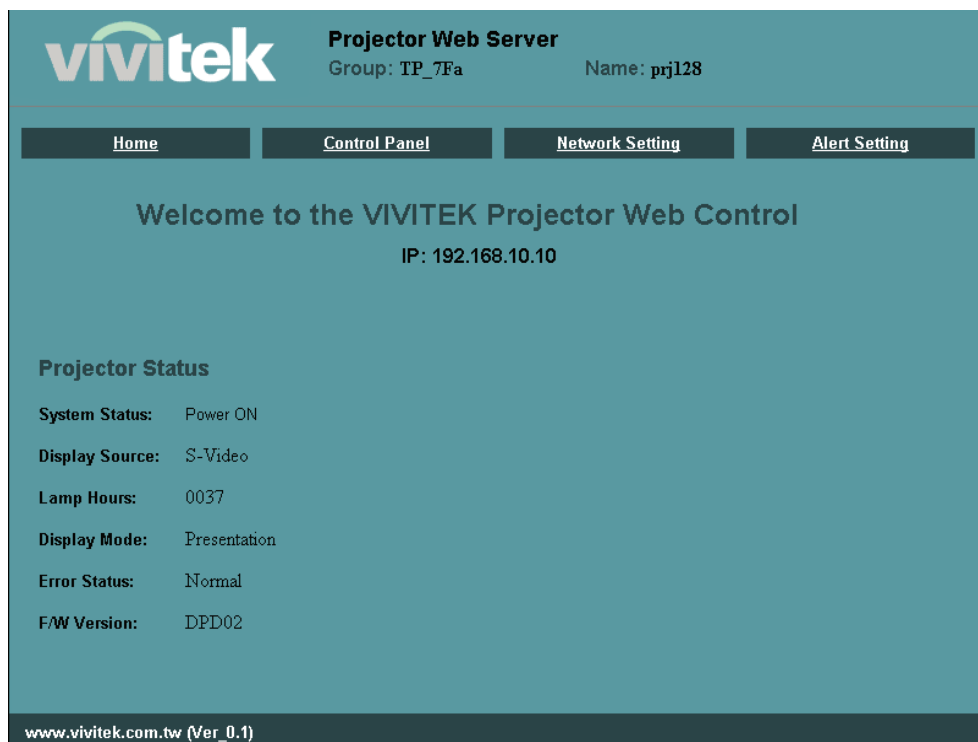


7. Press the **Menu** button on the projector.
8. Select **Installation II** → **Advanced** → **Network**.
9. After getting into **Network**, input the following:
 - ▶ DHCP: Off
 - ▶ IP Address: 192.168.10.10
 - ▶ Subnet Mask: 255.255.255.0
 - ▶ Gateway: 0.0.0.0
 - ▶ DNS Server: 0.0.0.0
10. Press **↵** (Enter) / **▶** to confirm settings.
11. Open a web browser (for example, Microsoft Internet Explorer).



12. In the Address bar, input the IP address: 192.168.10.10.
13. Press **↵** (Enter) / **▶**.

The projector is setup for remote management. The LAN/RJ45 function displays as follows.



14. Click **Control Panel** to display projector settings.

The screenshot shows the 'Control Panel' interface with three main sections: SOURCE, IMAGE, and DISPLAY. The SOURCE section includes buttons for Power, Blank Mute, Re-sync, and Freeze, along with a Source dropdown menu. The IMAGE section includes Projection Mode, Brightness, Contrast, and Color temp, each with a dropdown or slider. The DISPLAY section includes Aspect Ratio, V. Keystone, and Volume, each with a dropdown or slider.

Preparing Email Alerts

1. Make sure that user can access the homepage of LAN RJ45 function by web browser (for example, Microsoft Internet Explorer v6.01/v7.0).
2. From the Homepage of LAN/RJ45, click **Alert Setting**.

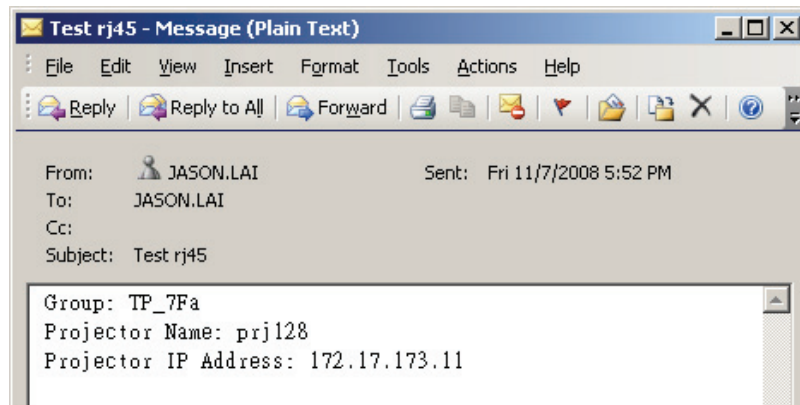


3. By default, these input boxes in **Alert Setting** are blank.

The screenshot shows the 'Alert Setting' configuration page. It has a navigation menu at the top with Home, Control Panel, Network Setting, and Alert Setting. The main content area is divided into three sections: Email Setting (with To, Cc, Subject, and From input boxes), SMTP Setting (with a Server input box), and Alert Condition (with checkboxes for Over Temperature, Lamp-Door Open, and Lamp Fail). At the bottom right, there are Submit and Email Alert Test buttons.

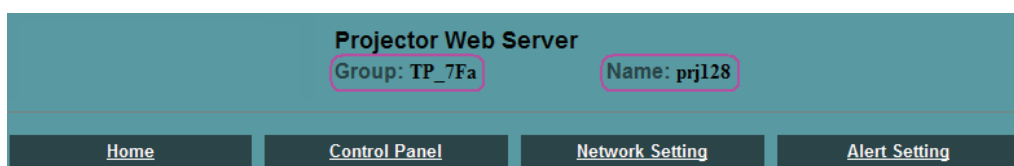
- The **To** field is the recipients email address (for example, projector administrator). This is a required field.
 The **Cc** field sends a carbon copy of the alert to the specified email address. This is an optional field (for example, assistant of projector administrator). This **Cc** field is optional input.
 The “Subject” field is the subtitle for email. This is a required field.
 The **From** field is the sender’s email address (for example, projector administrator). This is a required field.
 The **SMTP** field is the mail server for sending out email (SMTP protocol). This is a required field.
 Select the alerting conditions by checking the desired boxes.
 See the example below:

- When the above necessary input fields correct, then press **Email Alert Test** button. In a few seconds, the specified mailbox receives a test email as shown below:



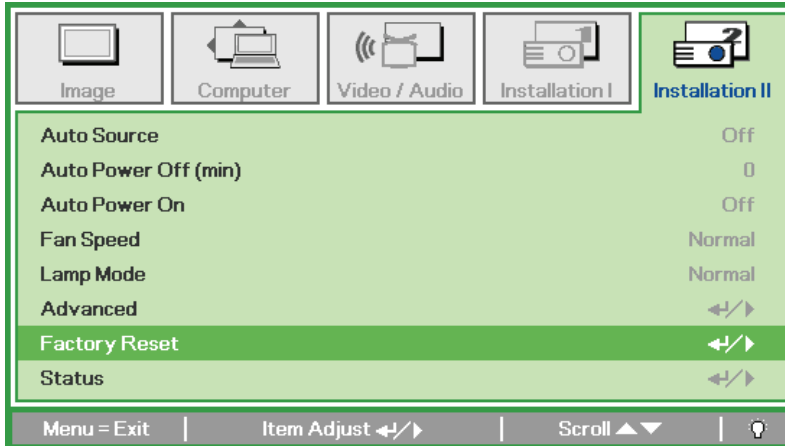
Note:
 Fill in all fields as specified. Select the desired alert condition and click **Submit** to conduct an **Email Alert Test**. A successful test alerts the designated email accounts. To create an email alert, you must select alert conditions and enter a correct email address.

Group and **Projector Name** identify the alerting projector and are located at the top of the LAN RJ45 web page as shown below:



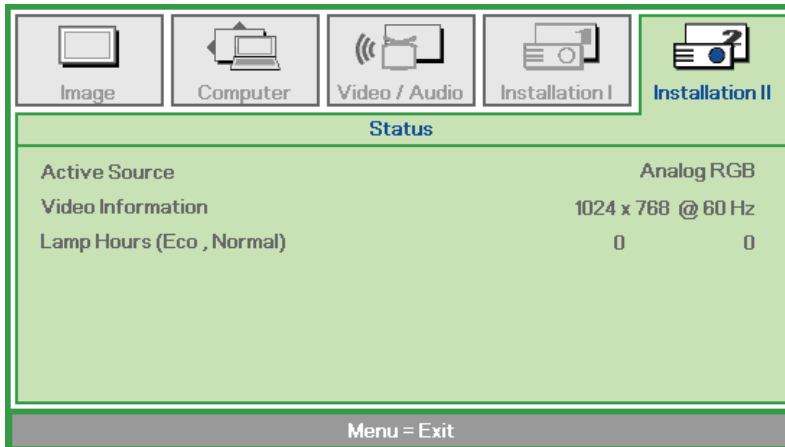
Factory Reset

Press the cursor ▲▼ button to move up and down in the **Installation II** menu. Select the **Factory Reset** sub menu and press ← (Enter) / ► to reset all the menu items to the factory default values (expect Language and Security Lock).



Status

Press the cursor ▲▼ button to move up and down in the **Installation II** menu. Select the **Installation II** sub menu and press ← (Enter) / ► to enter the **Status** sub menu.



| ITEM | DESCRIPTION |
|-------------------|---|
| Active Source | Display the activated source. |
| Video Information | Displays resolution/video information for RGB source and color standard for Video source. |
| Lamp Hours | Lamp hour used information is displayed. Eco and Normal counters are separated. |

MAINTENANCE AND SECURITY

Replacing the Projection Lamp

The projection lamp should be replaced when it burns out. It should only be replaced with a certified replacement part, which you can order from your local dealer.

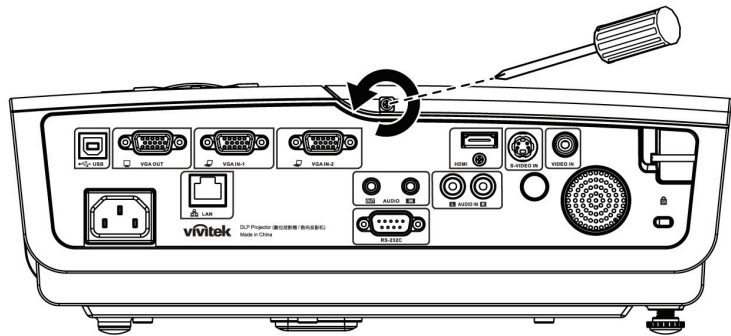
Important:

- a. The projection lamp used in this product contains a small amount of mercury.
- b. Do not dispose this product with general household waste.
- c. Disposal of this product must be carried out in accordance with the regulations of your local authority.

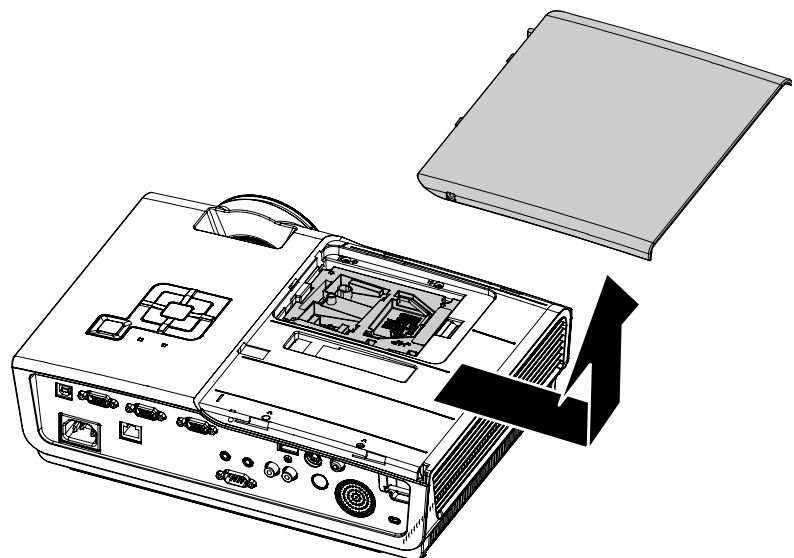
Warning:

Be sure to turn off and unplug the projector at least 30 minutes before replacing the lamp. Failure to do so could result in a severe burn.

1. Remove the single screw on the lamp compartment cover.

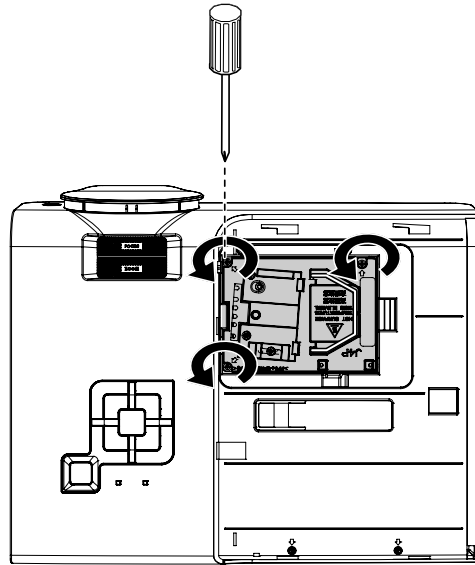


2. Remove the lamp compartment cover.

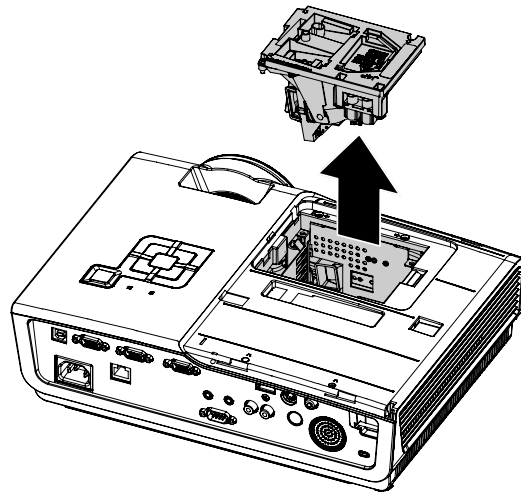


3. Remove the three screws from the lamp module.

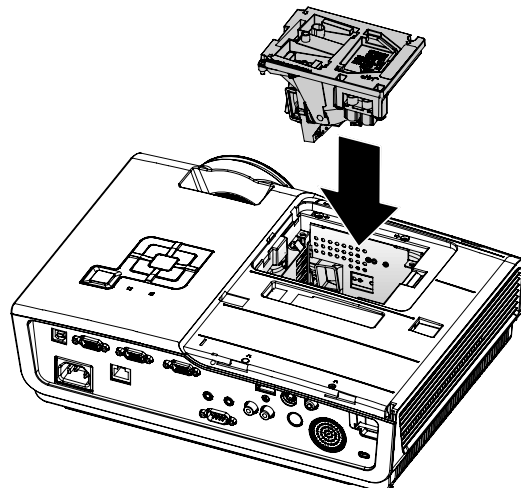
4. Lift the module handle up.



5. Pull firmly on the module handle to remove the lamp module.



6. Reverse steps 1 to 5 to install the new lamp module. While installing, align the lamp module with the connector and ensure it is level to avoid damage.

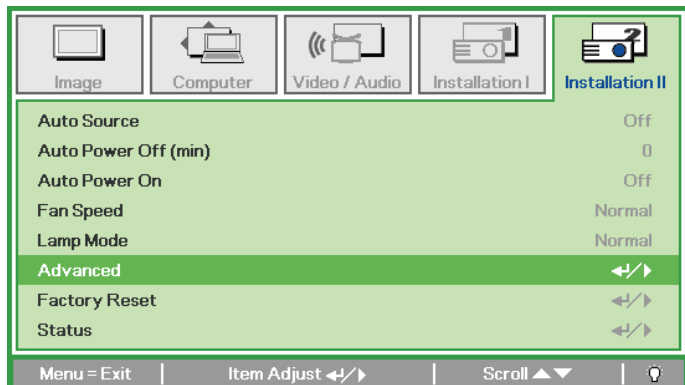


Note: The lamp module must sit securely in place and the lamp connector must be connected properly before tightening the screws.

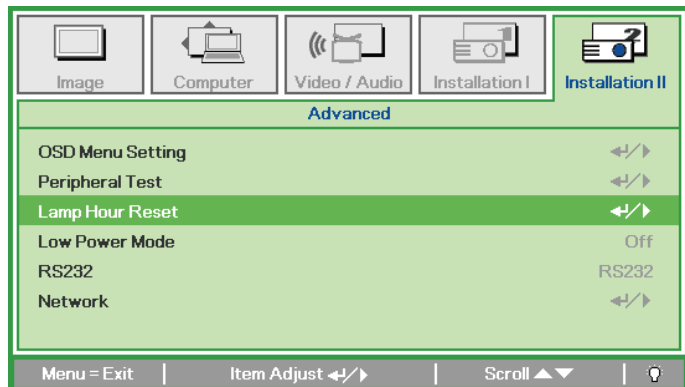
Resetting the Lamp

After replacing the lamp, you should reset the lamp hour counter to zero. Refer to the following:

1. Press the **MENU** button to open the OSD menu.
2. Press the cursor ◀▶ button to move to the **Installation II** menu. Press the cursor button to move down to **Advanced**.



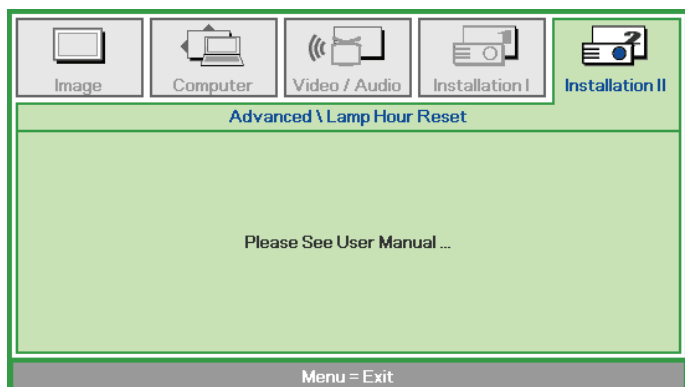
3. Press the cursor ▼▲ button to move down to **Lamp Hour Reset**.



4. Press the cursor ▶ or Enter button.

A message screen appears.

5. Press ▼▲◀▶ buttons to reset the lamp hour.



6. Press the **MENU** button to get back to Installation II.

Cleaning the Projector

Cleaning the projector to remove dust and grime will help ensure trouble-free operation.

Warning:

- 1. Be sure to turn off and unplug the projector at least 30 minutes before cleaning. Failure to do so could result in a severe burn.*
- 2. Use only a dampened cloth when cleaning. Do not allow water to enter the ventilation openings on the projector.*
- 3. If a little water gets into the projector interior while cleaning, leave unplugged in a well-ventilated room for several hours before using.*
- 4. If a lot of water gets into the projector interior when cleaning, have the projector serviced.*

Cleaning the Lens

You can purchase optic lens cleaner from most camera stores. Refer to the following to clean the projector lens.

1. Apply a little optic lens cleaner to a clean soft cloth. (Do not apply the cleaner directly to the lens.)
2. Lightly wipe the lens in a circular motion.

Caution:

- 1. Do not use abrasive cleaners or solvents.*
- 2. To prevent discoloration or fading, avoid getting cleaner on the projector case.*

Cleaning the Case

Refer to the following to clean the projector case.

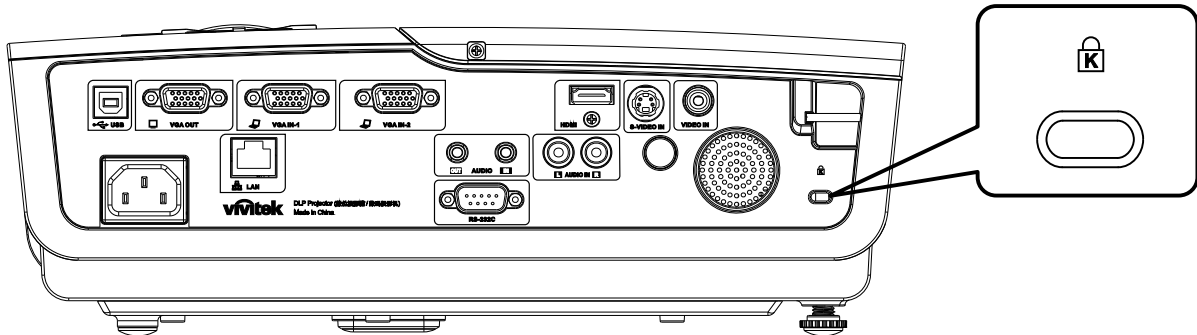
1. Wipe off dust with a clean dampened cloth.
2. Moisten the cloth with warm water and mild detergent (such as used to wash dishes), and then wipe the case.
3. Rinse all detergent from the cloth and wipe the projector again.

Caution:

To prevent discoloration or fading of the case, do not use abrasive alcohol-based cleaners.

Using the Kensington® Lock

If you are concerned about security, attach the projector to a permanent object with the Kensington slot and a security cable.



Note:

Contact your vendor for details on purchasing a suitable Kensington security cable.

The security lock corresponds to Kensington’s MicroSaver Security System. If you have any comment, contact: Kensington, 2853 Campus Drive, San Mateo, CA 94403, U.S.A. Tel: 800-535-4242, <http://www.Kensington.com>.

Common problems and solutions

These guidelines provide tips to deal with problems you may encounter while using the projector. If the problem remains unsolved, contact your dealer for assistance.

Often after time spent troubleshooting, the problem is traced to something as simple as a loose connection. Check the following before proceeding to the problem-specific solutions.

- *Use some other electrical device to confirm that the electrical outlet is working.*
- *Ensure the projector is turned on.*
- *Ensure all connections are securely attached.*
- *Ensure the attached device is turned on.*
- *Ensure a connected PC is not in suspending mode.*
- *Ensure a connected notebook computer is configured for an external display. (This is usually done by pressing a Fn-key combination on the notebook).*

Tips for Troubleshooting

In each problem-specific section, try the steps in the order suggested. This may help you to solve the problem more quickly.

Try to pin point the problem and thus avoid replacing non-defective parts. For example, if you replace batteries and the problem remains, put the original batteries back and go to the next step.

Keep a record of the steps you take when troubleshooting: The information may be useful when calling for technical support or for passing on to service personnel.

LED Error Messages

| ERROR CODE MESSAGES | POWER LED BLINK | READY LED BLINK | TEMP LED BLINK |
|---|-----------------|-----------------|----------------|
| Over temperature | OFF | OFF | ON |
| G794 fail | 4 | 4 | OFF |
| T1 fail | 4 | 5 | OFF |
| Lamp error | 5 | OFF | OFF |
| Ballast Over Temperature | 5 | 1 | OFF |
| Ballast short circuit in output detected | 5 | 2 | OFF |
| End of lamp lift detected | 5 | 3 | OFF |
| Ballast lamp did not ignite | 5 | 4 | OFF |
| Lamp extinguished during normal operation | 5 | 5 | OFF |
| Lamp extinguished during run-up phase | 5 | 6 | OFF |
| Lamp Memory write error | 5 | 7 | OFF |
| Lamp Memory write buffer overflow | 5 | 8 | OFF |
| Lamp UART buffer overflow | 5 | 9 | OFF |
| Lamp current calculation error | 5 | 10 | OFF |
| Lamp Corrupted software configuration | 5 | 11 | OFF |
| Lamp voltage too low | 5 | 12 | OFF |
| Lamp FLASH memory CRC error | 5 | 13 | OFF |
| Lamp EEPROM memory CRC error | 5 | 14 | OFF |
| Lamp EEPROM configuration does not match FLASH kernel | 5 | 15 | OFF |
| Fan1 error (Burner Fan) | 6 | 1 | OFF |
| Fan2 error (Lamp Fan) | 6 | 2 | OFF |
| Fan3 error (Power Fan) | 6 | 3 | OFF |
| Fan4 error (DMD Fan) | 6 | 4 | OFF |
| Lamp door open | 7 | OFF | OFF |
| DMD error | 8 | OFF | OFF |
| Color wheel error | 9 | OFF | OFF |

In the event of an error, please disconnect the AC power cord and wait for one (1) minute before re-starting the projector. If the POWER or LAMP LEDs are still blinking or the TEMP LED is lit, contact your service center.

Image Problems

Problem: No image appears on the screen

1. Verify the settings on your notebook or desktop PC.
2. Turn off all equipment and power up again in the correct order.

Problem: The image is blurred

1. Adjust the **Focus** on the projector.
2. Press the **Auto** button on the remote control or projector.

3. Ensure the projector-to-screen distance is within the 10-meter (33-feet) specified range.
4. Check that the projector lens is clean.

Problem: The image is wider at the top or bottom (trapezoid effect)

1. Position the projector so it is as perpendicular to the screen as possible.
2. Use the **Keystone** button on the remote control or projector to correct the problem.

Problem: The image is reversed

Check the **Projection** setting on the **Installation I** menu of the OSD.

Problem: The image is streaked

1. Set the **Frequency** and **Tracking** settings on the **Computer** menu of the OSD to the default settings.
2. To ensure the problem is not caused by a connected PC's video card, connect to another computer.

Problem: The image is flat with no contrast

Adjust the **Contrast** setting on the **Image** menu of the OSD.

Problem: The color of the projected image does not match the source image.

Adjust the **Color Temperature** and **Gamma** settings on the **Image** menu of the OSD.

Lamp Problems

Problem: There is no light from the projector

1. Check that the power cable is securely connected.
2. Ensure the power source is good by testing with another electrical device.
3. Restart the projector in the correct order and check that the Power LED is green.
4. If you have replaced the lamp recently, try resetting the lamp connections.
5. Replace the lamp module.
6. Put the old lamp back in the projector and have the projector serviced.

Problem: The lamp goes off

1. Power surges can cause the lamp to turn off. Re-plug power cord. When the READY LED is on, press the power button.
2. Replace the lamp module.
3. Put the old lamp back in the projector and have the projector serviced.

Remote Control Problems

Problem: The projector does not respond to the remote control

1. Direct the remote control towards remote sensor on the projector.
2. Ensure the path between remote and sensor is not obstructed.
3. Turn off any fluorescent lights in the room.
4. Check the battery polarity.
5. Replace the batteries.
6. Turn off other Infrared-enabled devices in the vicinity.
7. Have the remote control serviced.

Audio Problems

Problem: There is no sound

1. Adjust the volume on the remote control.
2. Adjust the volume of the audio source.
3. Check the audio cable connection.
4. Test the source audio output with other speakers.
5. Have the projector serviced.

Problem: The sound is distorted

1. Check the audio cable connection.
2. Test the source audio output with other speakers.
3. Have the projector serviced.

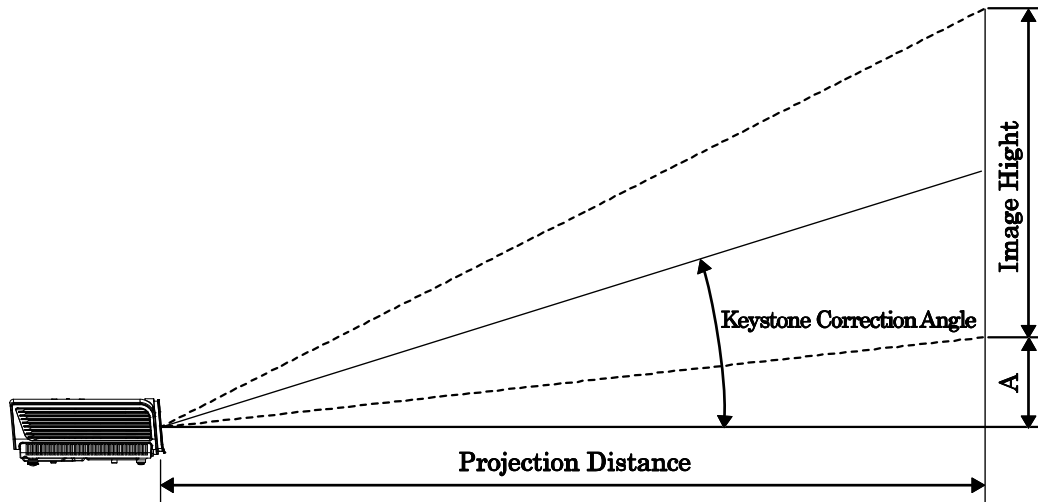
Having the Projector Serviced

If you are unable to solve the problem, you should have the projector serviced. Pack the projector in the original carton. Include a description of the problem and a checklist of the steps you took when trying to fix the problem: The information may be useful to service personnel. For servicing, return the projector to the place you purchased it.

Specifications

| Model | D935VX | D940VX/D945VX | D930TX |
|------------------------------|---|----------------------|-----------------------|
| Display type | TI DMD 0.55" XGA | TI DMD 0.7" XGA | TI DMD 0.55" XGA |
| Resolution | XGA 1024x768 Native | XGA 1024x768 Native | XGA 1024x768 Native |
| Weight | 3.5 kg (7.7 lbs) | | 3.6 kg (7.9 lbs) |
| Projection distance | 1 meters ~ 10 meters | 1 meters ~ 10 meters | 0.5 meters ~ 5 meters |
| Projection screen size | 22.5"~300" | 23.4"~300" | 38"~380" |
| Projection lens | Manual Focus/Manual Zoom | | Manual Focus |
| Zoom ratio | 1.15 | | — |
| Vertical keystone correction | +/- 15 degrees | | |
| Projection methods | Front, Rear, Desktop/Ceiling (Rear, Front) | | |
| Data compatibility | IBM PC or compatibles (VGA, SVGA, XGA, SXGA, UXGA), Mac | | |
| SDTV/EDTV/ HDTV | 480i, 576i, 480p, 576p, 720p, 1080i, 1080p | | |
| Video compatibility | NTSC/NTSC 4.43, PAL (B/G/H/I/M/N/60), SECAM | | |
| H-Sync | 15, 30 – 80 kHz | | |
| V-Sync | 43 – 87 Hz | | |
| Safety certification | FCC-B, UL, cUL, CB, CE, CCC, EK, PCT, PSB | | |
| Operation temperature | 5° ~ 35°C | | |
| Dimensions | 335 mm (W) x 102 mm (H) x 256 mm (D) | | |
| AC Input | AC Universal 100 ~ 240, Typical @ 110VAC (100~240)/+/-10% | | |
| Power consumption | 290W | 350W | |
| Stand By | <1 watt | | |
| Lamp | 230W | 280W | |
| Audio speaker | 3W mono speaker | | |
| Input Terminals | VGA x 2 | | |
| | S-Video x 1 | | |
| | Composite Video x 1 | | |
| | HDMI 1.3 x 1 | | |
| | RCA stereo x 1 | | |
| | Mini-jack stereo x 1 | | |
| Output Terminals | VGA x 1 (Loop Thru only for VGA IN-1) | | |
| | Mini-jack stereo x 1 | | |
| Control Terminals | RS-232C | | |
| | RJ45 | | |
| | USB (type B) | | |
| Security | Kensington lock | | |

Projection Distance vs. Projection Size



D9 SERIES Projection Distance and Size Table

| D935VX | TELE | | | | WIDE | | | |
|-------------------|--------------|--------|-------|-------|-------|--------|-------|-------|
| | Distance (m) | 1.34 | 3.58 | 4.47 | 8.94 | 1.54 | 3.09 | 3.86 |
| Diagonal (inches) | 30 | 80 | 100 | 200 | 40 | 80 | 100 | 300 |
| Keystone (degree) | 12.3 | 12.3 | 12.3 | 12.3 | 14.2 | 14.2 | 14.2 | 14.2 |
| Image Height (mm) | 457.2 | 1219.2 | 1524 | 3048 | 609.6 | 1219.2 | 1524 | 4572 |
| Image Width (mm) | 609.6 | 1625.6 | 2032 | 4064 | 812.8 | 1625.6 | 2032 | 6096 |
| A (mm) | 64 | 170.7 | 213.4 | 426.7 | 85.3 | 170.7 | 213.4 | 640.1 |

| D940VX/D945VX | TELE | | | | WIDE | | | |
|-------------------|--------------|--------|-------|-------|-------|--------|-------|-------|
| | Distance (m) | 1.28 | 3.41 | 4.27 | 8.53 | 1.46 | 2.93 | 3.66 |
| Diagonal (inches) | 30 | 80 | 100 | 200 | 40 | 80 | 100 | 300 |
| Keystone (degree) | 12.55 | 12.55 | 12.55 | 12.55 | 14.56 | 14.56 | 14.56 | 14.56 |
| Image Height (mm) | 457.2 | 1219.2 | 1524 | 3048 | 609.6 | 1219.2 | 1524 | 4572 |
| Image Width (mm) | 609.6 | 1625.6 | 2032 | 4064 | 812.8 | 1625.6 | 2032 | 6096 |
| A (mm) | 56.4 | 150.5 | 188.1 | 376.3 | 75.3 | 150.5 | 188.1 | 564.4 |

| D930TX | TELE | | | |
|-------------------|--------------|--------|------|-------|
| | Distance (m) | 0.53 | 1.05 | 1.32 |
| Diagonal (inches) | 40 | 80 | 100 | 300 |
| Keystone (degree) | 34.9 | 34.9 | 34.9 | 34.9 |
| Image Height (mm) | 609.6 | 1219.2 | 1524 | 4572 |
| Image Width (mm) | 812.8 | 1625.6 | 2032 | 6096 |
| A (mm) | 62.8 | 125.6 | 157 | 470.9 |

D9 SERIES Timing Mode Table

The projector can display several resolutions. The following table outlines the resolutions that can be displayed by the projector.

| SIGNAL | RESOLUTION | H-SYNC (KHz) | V-SYNC (Hz) | COMPOSITE / S-VIDEO | COMPONENT | RGB (ANALOG) | DVI/ HDMI (DIGITAL) |
|-----------------|-------------|--------------|-------------|---------------------|-----------|--------------|---------------------|
| NTSC | — | 15.734 | 60.0 | O | — | — | — |
| PAL/SECAM | — | 15.625 | 50.0 | O | — | — | — |
| VESA | 720 x 400 | 37.9 | 85.0 | — | — | O | O |
| | 640 x 480 | 31.5 | 60.0 | — | — | O | O |
| | 640 x 480 | 37.9 | 72.8 | — | — | O | O |
| | 640 x 480 | 37.5 | 75.0 | — | — | O | O |
| | 640 x 480 | 43.3 | 85.0 | — | — | O | O |
| | 800 x 600 | 35.2 | 56.3 | — | — | O | O |
| | 800 x 600 | 37.9 | 60.3 | — | — | O | O |
| | 800 x 600 | 46.9 | 75.0 | — | — | O | O |
| | 800 x 600 | 48.1 | 72.2 | — | — | O | O |
| | 800 x 600 | 53.7 | 85.1 | — | — | O | O |
| | 1024 x 768 | 48.4 | 60.0 | — | — | O | O |
| | 1024 x 768 | 56.5 | 70.1 | — | — | O | O |
| | 1024 x 768 | 60.0 | 75.0 | — | — | O | O |
| | 1024 x 768 | 68.7 | 85.0 | — | — | O | O |
| | 1280 x 800 | 49.7 | 59.8 | — | — | O | O |
| | 1280 x 800 | 62.8 | 74.9 | — | — | O | O |
| | 1280 x 800 | 71.6 | 84.8 | — | — | O | O |
| | 1280 x 1024 | 64.0 | 60.0 | — | — | O | O |
| | 1280 x 1024 | 80.0 | 75.0 | — | — | O | O |
| | 1280 x 1024 | 91.1 | 85.0 | — | — | O | O |
| 1400 x 1050 | 65.3 | 60.0 | — | — | O | O | |
| 1440 x 900 | 55.9 | 60.0 | — | — | O | O | |
| 1600 x 1200 | 75.0 | 60 | — | — | O | O | |
| Apple Macintosh | 640 x 480 | 35.0 | 66.7 | — | — | O | O |
| | 832 x 624 | 49.7 | 74.5 | — | — | O | O |
| | 1024 x 768 | 60.2 | 74.9 | — | — | O | O |
| | 1152 x 870 | 68.7 | 75.1 | — | — | O | O |
| SDTV | 480i | 15.734 | 60.0 | — | O | — | O |
| | 576i | 15.625 | 50.0 | — | O | — | O |
| EDTV | 576p | 31.3 | 50.0 | — | O | — | O |
| | 480p | 31.5 | 60.0 | — | O | — | O |

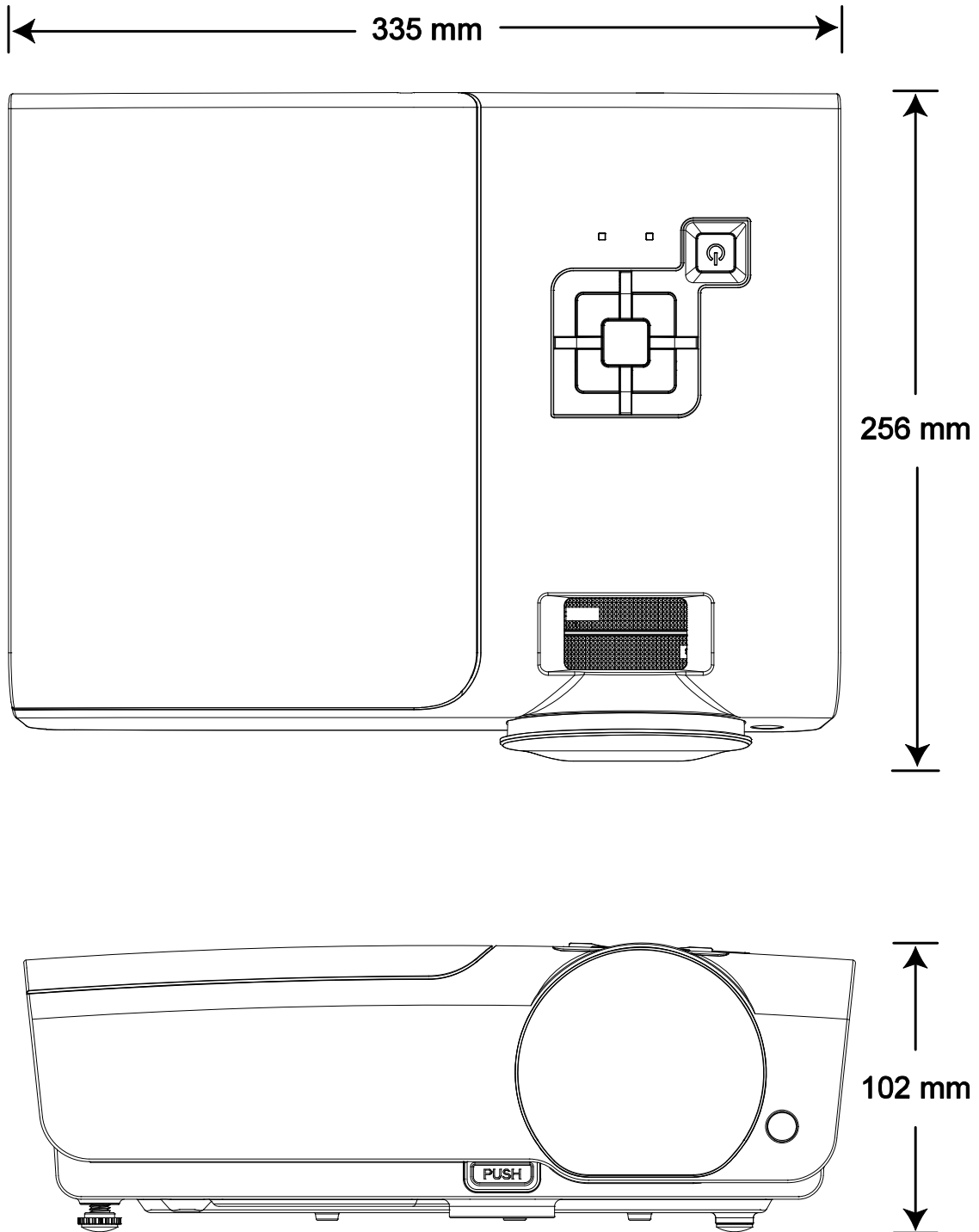
| SIGNAL | RESOLUTION | H-SYNC (KHz) | V-SYNC (Hz) | COMPOSITE / S-VIDEO | COMPONENT | RGB (ANALOG) | DVI/ HDMI (DIGITAL) |
|--------|------------|--------------|-------------|---------------------|-----------|--------------|---------------------|
| HDTV | 720p | 37.5 | 50.0 | — | O | — | O |
| | 720p | 45.0 | 60.0 | — | O | — | O |
| | 1080i | 33.8 | 60.0 | — | O | — | O |
| | 1080i | 28.1 | 50.0 | — | O | — | O |
| | 1080p | 67.5 | 60.0 | — | O | — | O |
| | 1080p | 56.3 | 50.0 | — | O | — | O |

O: Frequency supported

—: Frequency not supported

The resolution of the panel for the D9 Series is 1024 x 768. Resolution other than native resolution may display with uneven size of text or lines.

Projector Dimensions



FCC Warning

This equipment has been tested and found to comply with the limits for a Class B digital device pursuant to Part 15 of the FCC Rules. These limits are designed to provide reasonable protection against harmful interference when the equipment is operated in a commercial environment.

This equipment generates, uses, and can radiate radio frequency energy and, if not installed and used in accordance with the instruction manual, may cause harmful interference to radio communications. Operation of this equipment in a residential area is likely to cause harmful interference in which case the user will be required to correct the interference at his/her own expense.

Changes or modifications not expressly approved by the parties responsible for compliance could void the user's authority to operate the equipment.

Canada

This class B digital apparatus complies with Canadian ICES-003.

Safety Certifications

FCC-B, UL, cUL, CB, CE, CCC, EK, PCT, and PSB

EN 55022 Warning

This is a Class B product. In a domestic environment, it may cause radio interference, in which case the user may be required to take adequate measures. The typical use is in a conference room, meeting room, or auditorium.